



DISMOUNTABLE BELLOW HT°



From nominal diameter 2" ^{3/4} (Ø70mm)
to nominal diameter 26" (Ø660mm)

High universal property
High resistance at the environment
Extreme temperature
Wide range (1,2,3 convolutes)

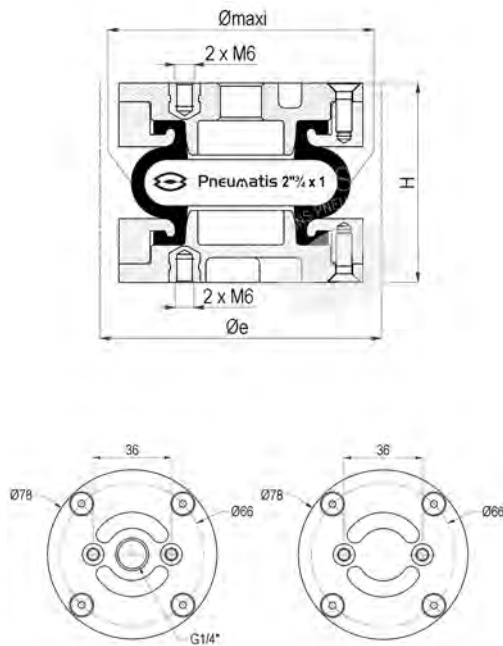
Range in aluminium and steel plates

Others products on request
(integrated stop, special plates...)

Bellow 2" 3/4 x 1 alu

DB0214/B

INDUSTRY



Technical characteristics

Maximum pressure	8 bar
Burst pressure	50 bar
Maximum angular capacity	**
Maximum out of alignment	**

** on demand

Static diameter	70 mm
Maximum diameter	80 mm
Minimum overall diameter (Øe)	95 mm
Minimum height	53 mm
Static height (H)	60 mm
Maximum height	70 mm
Maximum recommended height	65 mm
Total stroke	20 mm
Effective area at static height	29 cm ²
Stiffness at 4 bar	13,12 daN/mm
Natural frequency at 4 bar	5,30 Hz
Weight	0,35 kg

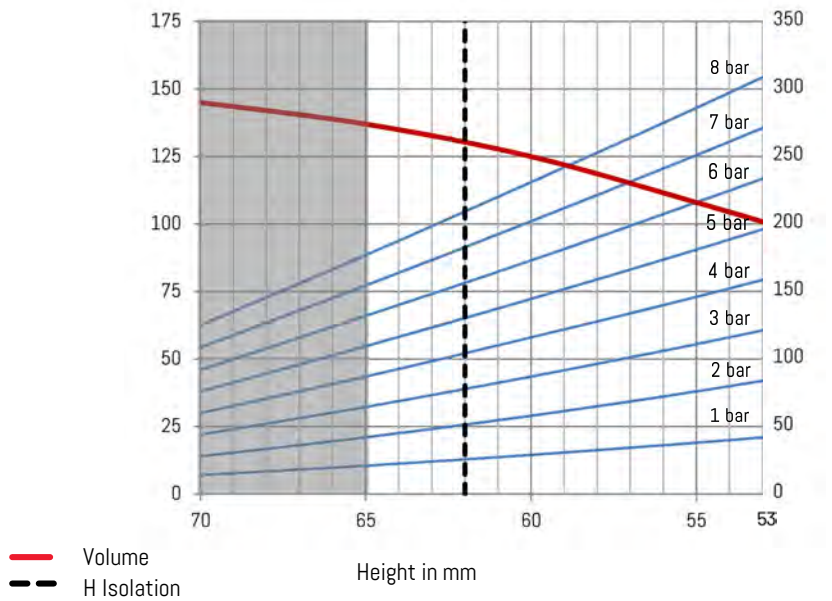
Dynamic characteristics at H = 62mm*

Pressure	2 bar	4 bar	6 bar
Load (daN)	50	105	155
Volume (dm ³)	0,115	0,122	0,130
Stiffness (daN/mm)	56,9	96,1	133,7
Natural frequency (Hz)	5,22	4,79	4,60
Isolation rate at 10Hz %	62,5%	70,3%	73,1%

* Recommended height for better isolation

Volume in cm³

Load in daN



— Volume
- - - H Isolation

Temperatures

Chlorobutyl	-25°C (-35°C static)	+90°C (+100°C static)
-------------	----------------------	-----------------------

References

DB0214/B Bellow 1 convolute 2" 3/4 x 1 Chlorobutyl aluminium screwed air inlet G1/4 centered

Characteristics in static condition (daN)

Height	2 bar	3 bar	4 bar	5 bar	6 bar	7 bar	8 bar	Vol 5 bar
50	84	121	159	196	233	271	309	102
55	76	111	146	181	216	251	286	108
60	58	87	116	145	173	202	231	125
62	51	78	104	132	157	183	209	130
65	42	65	87	110	132	155	177	137
70	28	44	60	76	92	109	125	145

Mounting instructions

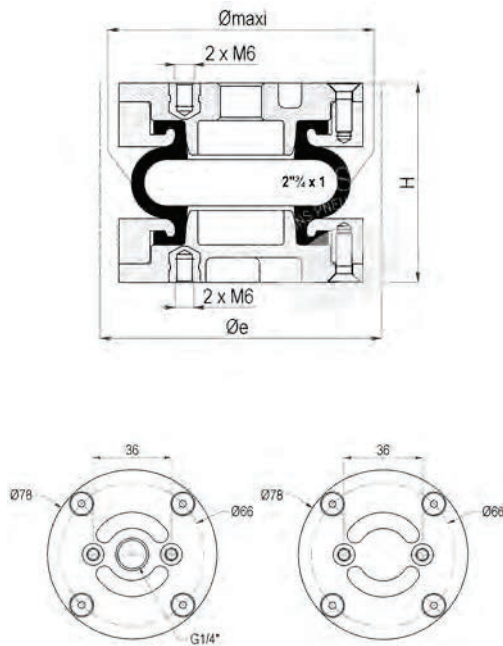
Fastening torque M5 x 0,8 : 5 Nm

Indicative value of force to reach the minimum height at atmospheric pressure is 200 daN.

Bellow 2" 3/4 x 1 alu

DB0214/E

INDUSTRY



Technical characteristics

Maximum pressure	8 bar
Burst pressure	50 bar
Maximum angular capacity	**
Maximum out of alignment	**

** on demand

Static diameter	70 mm
Maximum diameter	80 mm
Minimum overall diameter (Øe)	95 mm
Minimum height	53 mm
Static height (H)	60 mm
Maximum height	70 mm
Maximum recommended height	65 mm
Total stroke	20 mm
Effective area at static height	29 cm ²
Stiffness at 4 bar	13,12 daN/mm
Natural frequency at 4 bar	5,30 Hz
Weight	0,35 kg

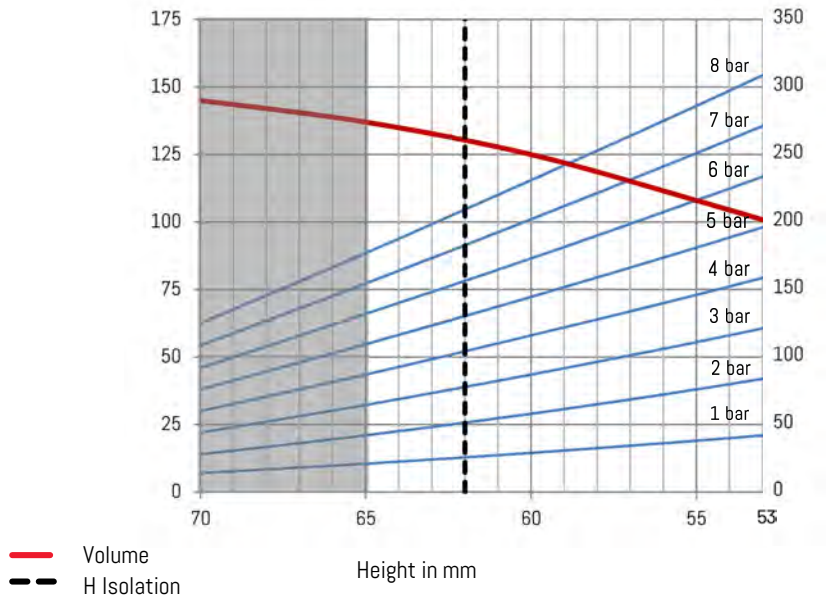
Dynamic characteristics at H = 62mm*

Pressure	2 bar	4 bar	6 bar
Load (daN)	50	105	155
Volume (dm ³)	0,115	0,122	0,130
Stiffness (daN/mm)	56,9	96,1	133,7
Natural frequency (Hz)	5,22	4,79	4,60
Isolation rate at 10Hz %	62,5%	70,3%	73,1%

* Recommended height for better isolation

Volume in cm³

Load in daN



— Volume
- - - H Isolation

Temperatures

Epichlore	-20°C (-30°C static)	+115°C (+120°C static)
-----------	----------------------	------------------------

References

DB0214/E	Bellow 1 convolute 2" 3/4 x 1 Epichlore aluminium screwed air inlet G1/4 centered
----------	-----------------------------------------------------------------------------------

Characteristics in static condition (daN)

Height	2 bar	3 bar	4 bar	5 bar	6 bar	7 bar	8 bar	Vol 5 bar
50	84	122	159	196	233	271	309	102
55	76	111	146	181	216	251	286	108
60	58	87	116	145	173	202	231	125
62	51	78	104	132	157	183	209	130
65	42	65	87	110	132	155	177	137
70	28	44	60	76	92	109	125	145

Mounting instructions

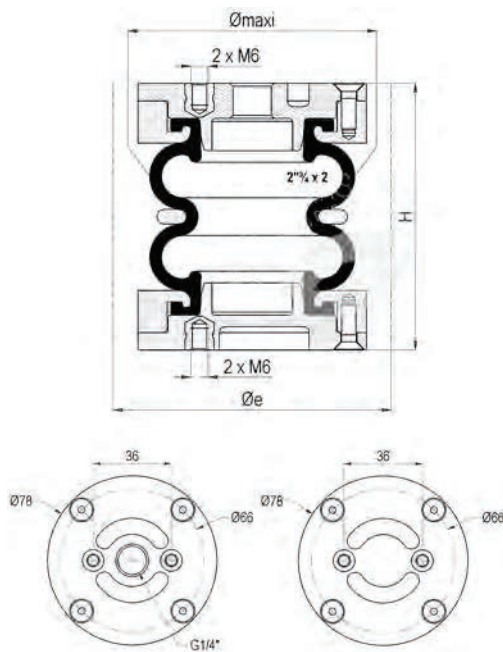
Fastening torque M5 x 0,8 : 5 Nm

Indicative value of force to reach the minimum height at atmospheric pressure is 200 daN.

Bellow 2"¾ x 2 alu

DB0224/B

INDUSTRY



Technical characteristics

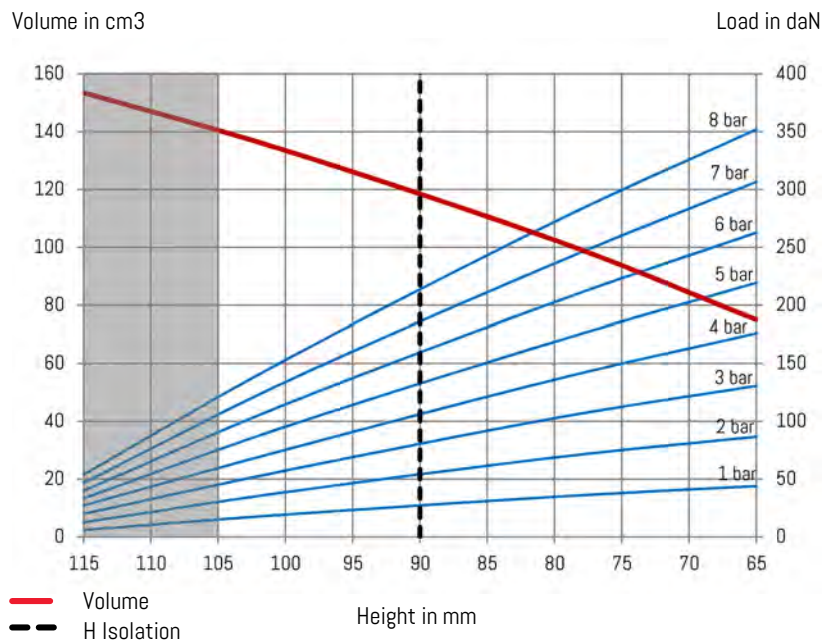
Maximum pressure	8 bar
Burst pressure	24 bar
Maximum angular capacity	10°
Maximum out of alignment	10 mm

Static diameter	70 mm
Maximum diameter	80 mm
Minimum overall diameter (Øe)	95 mm
Minimum height	65 mm
Static height (H)	90 mm
Maximum height	115 mm
Maximum recommended height	105 mm
Total stroke	50 mm
Effective area at static height	25 cm ²
Stiffness at 4 bar	53 daN/mm
Natural frequency at 4 bar	3,80 Hz
Weight	0,5 kg

Dynamic characteristics at H = 90mm*

Pressure	2 bar	4 bar	6 bar
Load (daN)	45	90	140
Volume (dm ³)	0,135	0,140	0,145
Stiffness (daN/mm)	31,7	52,5	72,5
Natural frequency (Hz)	4,14	3,76	3,60
Isolation rate at 10Hz %	79,3%	83,6%	85,1%

* Recommended height for better isolation



Temperatures

Chlorobutyl	-25°C (-35°C static)	+90°C (+100°C static)
-------------	----------------------	-----------------------

References

DB0224/B Bellow 2 convolutes 2"¾ x 2 Chlorobutyl aluminium screwed air inlet G¹/₄ centered

Characteristics in static condition (daN)

Height	2 bar	3 bar	4 bar	5 bar	6 bar	7 bar	8 bar	Vol 5 bar
65	87	131	176	219	263	307	352	75
80	69	103	136	169	203	236	272	103
90	55	81	107	133	160	186	214	119
100	39	57	75	95	115	134	153	134
105	31	45	60	75	90	105	121	141
115	13	20	27	33	40	47	54	154

Mounting instructions

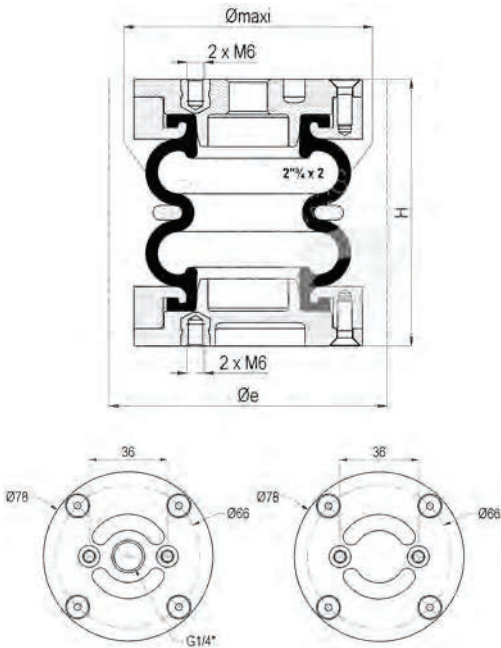
Fastening torque M5 x 0,8 : 5 Nm

Indicative value of force to reach the minimum height at atmospheric pressure is 14 daN.

Bellow 2"¾ x 2 alu

DB0224/E

INDUSTRY



Technical characteristics

Maximum pressure	8 bar
Burst pressure	24 bar
Maximum angular capacity	10°
Maximum out of alignment	10 mm

Static diameter	70 mm
Maximum diameter	80 mm
Minimum overall diameter (Øe)	95 mm
Minimum height	65 mm
Static height (H)	90 mm
Maximum height	115 mm
Maximum recommended height	105 mm
Total stroke	50 mm
Effective area at static height	25 cm²
Stiffness at 4 bar	53 daN/mm
Natural frequency at 4 bar	3,80 Hz
Weight	0,5 kg

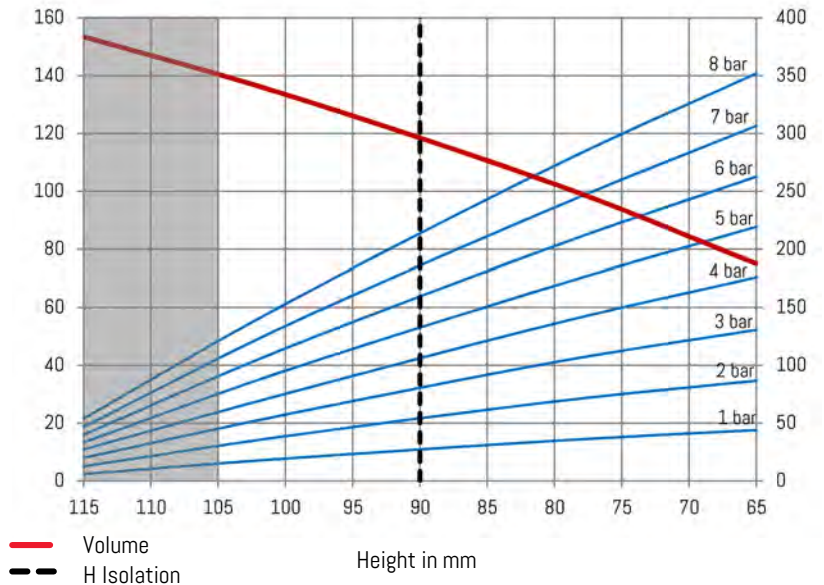
Dynamic characteristics at H = 90mm*

Pressure	2 bar	4 bar	6 bar
Load (daN)	45	90	140
Volume (dm³)	0,135	0,140	0,145
Stiffness (daN/mm)	31,7	52,5	72,5
Natural frequency (Hz)	4,14	3,76	3,60
Isolation rate at 10Hz %	79,3%	83,6%	85,1%

* Recommended height for better isolation

Volume in cm³

Load in daN



Temperatures

Epichlore	-20°C (-30°C static)	+115°C (+120°C static)
-----------	----------------------	------------------------

References

DB0224/E Bellow 2 convolutes 2"¾ x 2 Epichlore aluminium screwed air inlet G1/4" centered

Characteristics in static condition (daN)

Height	2 bar	3 bar	4 bar	5 bar	6 bar	7 bar	8 bar	Vol 5 bar
65	87	131	176	219	263	307	352	75
80	69	103	136	169	203	236	272	103
90	55	81	107	133	160	186	214	119
100	39	57	75	95	115	134	153	134
105	31	45	60	75	90	105	121	141
115	13	20	27	33	40	47	54	154

Mounting instructions

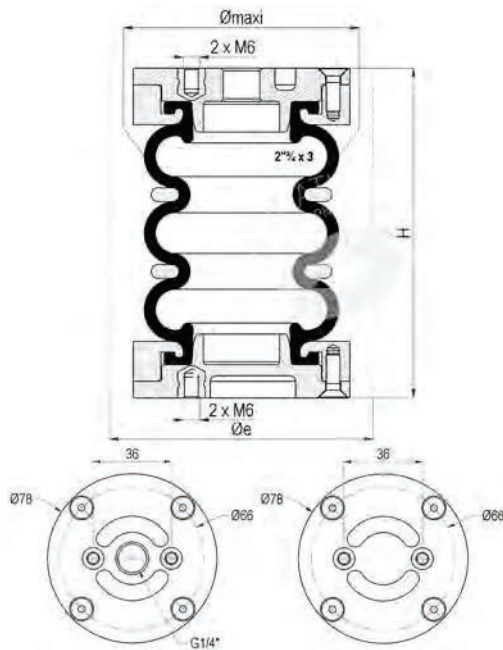
Fastening torque M5 x 0,8 : 5 Nm

Indicative value of force to reach the minimum height at atmospheric pressure is 14 daN.

Bellow 2"¾ x 3 alu

DB0234/B

INDUSTRY



Technical characteristics

Maximum pressure	8 bar
Burst pressure	24 bar
Maximum angular capacity	10°
Maximum out of alignment	10 mm

Static diameter	70 mm
Maximum diameter	80 mm
Minimum overall diameter (Øe)	95 mm
Minimum height	80 mm
Static height (H)	110 mm
Maximum height	145 mm
Maximum recommended height	130 mm
Total stroke	65 mm
Effective area at static height	24 cm²
Stiffness at 4 bar	36 daN/mm
Natural frequency at 4 bar	3,30 Hz
Weight	0,6 kg

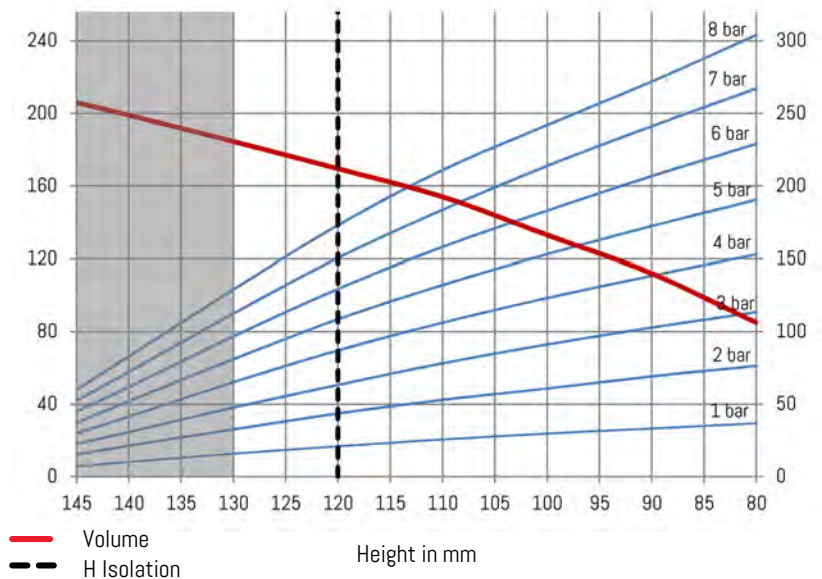
Dynamic characteristics at H = 120mm*

Pressure	2 bar	4 bar	6 bar
Load (daN)	40	85	130
Volume (dm³)	0,197	0,199	0,202
Stiffness (daN/mm)	20,6	35,8	50,7
Natural frequency (Hz)	3,50	3,22	3,12
Isolation rate at 10Hz %	86,1%	88,4%	89,2%

* Recommended height for better isolation

Volume in cm³

Load in daN



Temperatures

Chlorobutyl	-25°C (-35°C static)	+90°C (+100°C static)
-------------	----------------------	-----------------------

References

DB0234/B Bellow 3 convolutes 2"¾ x 3 Chlorobutyl aluminium screwed air inlet G1/4 centered

Characteristics in static condition (daN)

Height	2 bar	3 bar	4 bar	5 bar	6 bar	7 bar	8 bar	Vol 5 bar
80	76	114	153	191	229	267	304	85
90	69	103	138	172	207	241	272	112
100	61	91	123	153	183	214	242	133
110	53	78	106	132	158	184	211	154
120	44	63	87	109	129	151	173	170
130	33	48	65	81	97	113	129	185
140	21	31	42	52	62	72	83	199
145	15	23	30	37	45	53	60	206

Mounting instructions

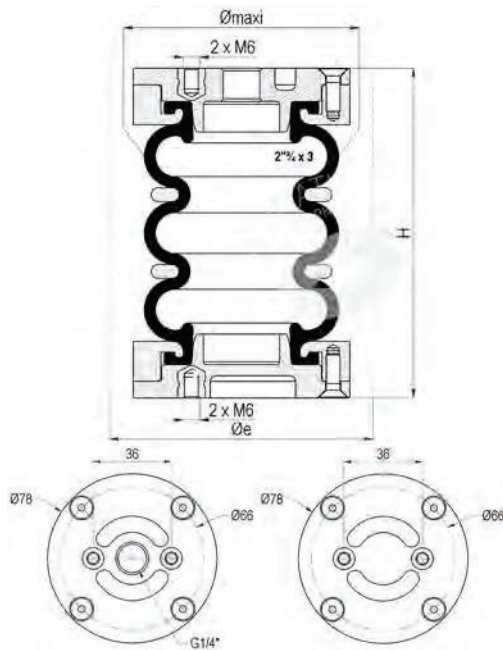
Fastening torque M5 x 0,8 : 5 Nm

Indicative value of force to reach the minimum height at atmospheric pressure is 14 daN.

Bellow 2"¾ x 3 alu

DB0234/E

INDUSTRY



Technical characteristics

Maximum pressure	8 bar
Burst pressure	24 bar
Maximum angular capacity	10°
Maximum out of alignment	10 mm

Static diameter	70 mm
Maximum diameter	80 mm
Minimum overall diameter (Øe)	95 mm
Minimum height	80 mm
Static height (H)	110 mm
Maximum height	145 mm
Maximum recommended height	130 mm
Total stroke	65 mm
Effective area at static height	24 cm²
Stiffness at 4 bar	36 daN/mm
Natural frequency at 4 bar	3,30 Hz
Weight	0,6 kg

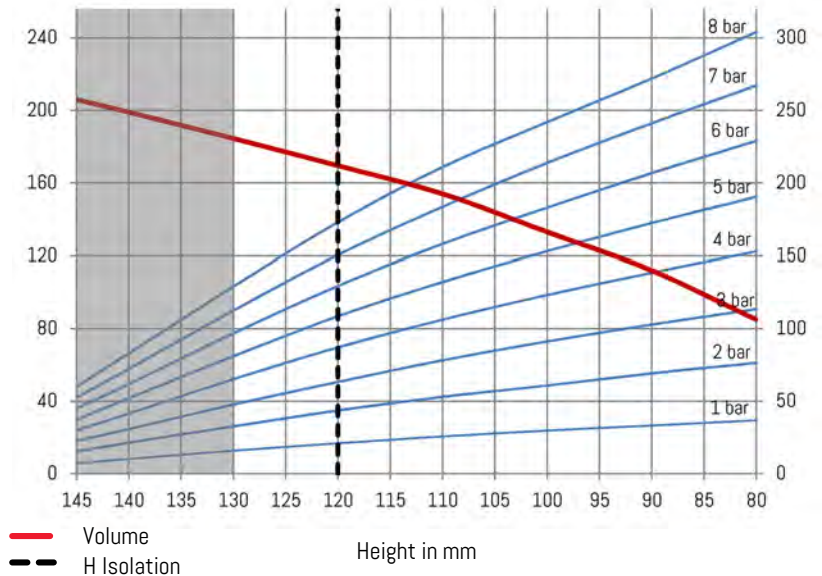
Dynamic characteristics at H = 120mm*

Pressure	2 bar	4 bar	6 bar
Load (daN)	40	85	130
Volume (dm³)	0,197	0,199	0,202
Stiffness (daN/mm)	20,6	35,8	50,7
Natural frequency (Hz)	3,50	3,22	3,12
Isolation rate at 10Hz %	86,1%	88,4%	89,2%

* Recommended height for better isolation

Volume in cm³

Load in daN



Temperatures

Epichlore	-20°C (-30°C static)	+115°C (+120°C static)
-----------	----------------------	------------------------

References

DB0234/E	Bellow 3 convolutes 2"¾ x 3 Epichlore aluminium screwed air inlet G1/4 centered
----------	---------------------------------------------------------------------------------

Characteristics in static condition (daN)

Height	2 bar	3 bar	4 bar	5 bar	6 bar	7 bar	8 bar	Vol 5 bar
80	76	114	153	191	229	267	304	85
90	69	103	138	172	207	241	272	112
100	61	91	123	153	183	214	242	133
110	53	78	106	132	158	184	211	154
120	44	63	87	109	129	151	173	170
130	33	48	65	81	97	113	129	185
140	21	31	42	52	62	72	83	199
145	15	23	30	37	45	53	60	206

Mounting instructions

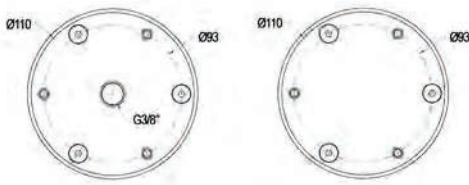
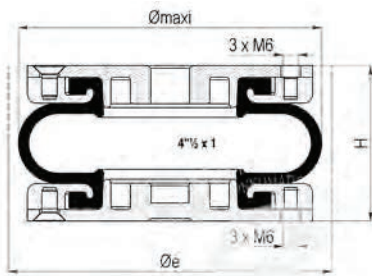
Fastening torque M5 x 0,8 : 5 Nm

Indicative value of force to reach the minimum height at atmospheric pressure is 14 daN.

Bellow 4"½ x 1

DB0413/B

INDUSTRY



Technical characteristics

Maximum pressure	8 bar
Burst pressure	24 bar
Maximum angular capacity	10°
Maximum out of alignment	10 mm

Static diameter	114 mm
Maximum diameter	125 mm
Minimum overall diameter (Øe)	140 mm
Minimum height	45 mm
Static height (H)	65 mm
Maximum height	90 mm
Maximum recommended height	80 mm
Total stroke	45 mm
Effective area at static height	72 cm²
Stiffness at 4 bar	55 daN/mm
Natural frequency at 4 bar	5,74 Hz
Weight	0,8 kg

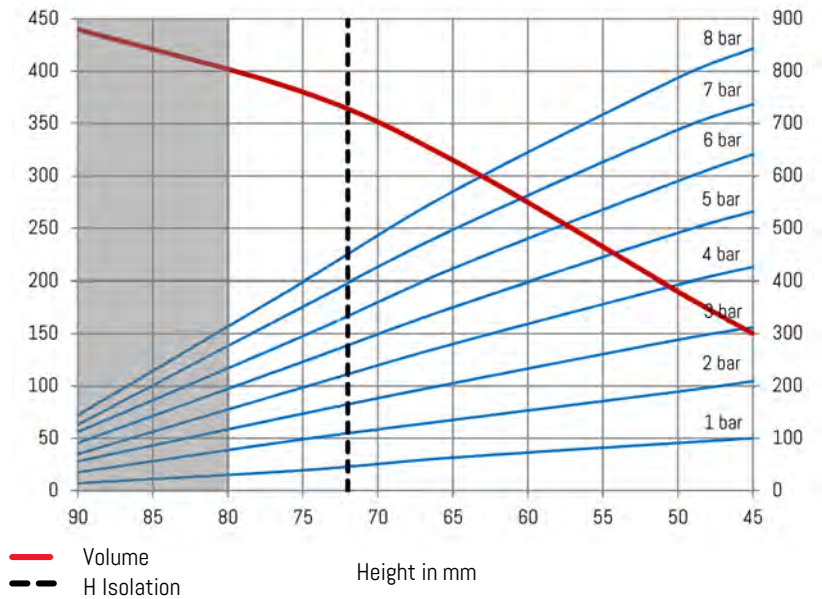
Dynamic characteristics at H = 72mm*

Pressure	2 bar	4 bar	6 bar
Load (daN)	105	220	335
Volume (dm³)	0,316	0,340	0,365
Stiffness (daN/mm)	74,9	131,8	184,9
Natural frequency (Hz)	4,21	3,87	3,71
Isolation rate at 10Hz %	78,4%	82,4%	84,0%

* Recommended height for better isolation

Volume in cm³

Load in daN



Temperatures

Chlorobutyl	-25°C (-35°C static)	+90°C (+100°C static)
-------------	----------------------	-----------------------

References

DB0413/B Bellow 1 convolute 4"½ x 1 Chlorobutyl aluminium screwed air inlet G3/8 centered

Characteristics in static condition (daN)

Height	2 bar	3 bar	4 bar	5 bar	6 bar	7 bar	8 bar	Vol 5 bar
45	209	312	426	532	641	737	843	150
50	189	288	393	491	590	688	787	190
65	135	205	280	350	423	497	570	315
72	109	165	223	279	336	398	455	360
75	98	147	197	246	295	351	398	380
80	77	117	157	197	238	281	321	402
90	35	56	70	91	112	126	144	440

Mounting instructions

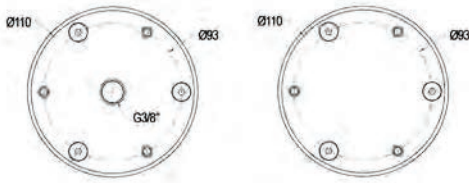
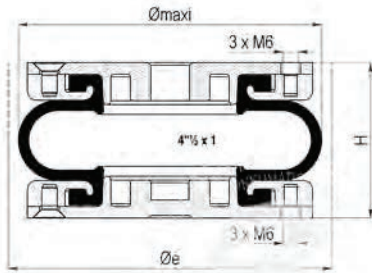
Fastening torque M6 x 1 : 7 to 11 Nm

Indicative value of force to reach the minimum height at atmospheric pressure is 12 daN.

Bellow 4"½ x 1

DB0413/E

INDUSTRY



Technical characteristics

Maximum pressure	8 bar
Burst pressure	24 bar
Maximum angular capacity	10°
Maximum out of alignment	10 mm

Static diameter	114 mm
Maximum diameter	125 mm
Minimum overall diameter (Øe)	140 mm
Minimum height	45 mm
Static height (H)	65 mm
Maximum height	90 mm
Maximum recommended height	80 mm
Total stroke	45 mm
Effective area at static height	72 cm ²
Stiffness at 4 bar	55 daN/mm
Natural frequency at 4 bar	5,74 Hz
Weight	0,8 kg

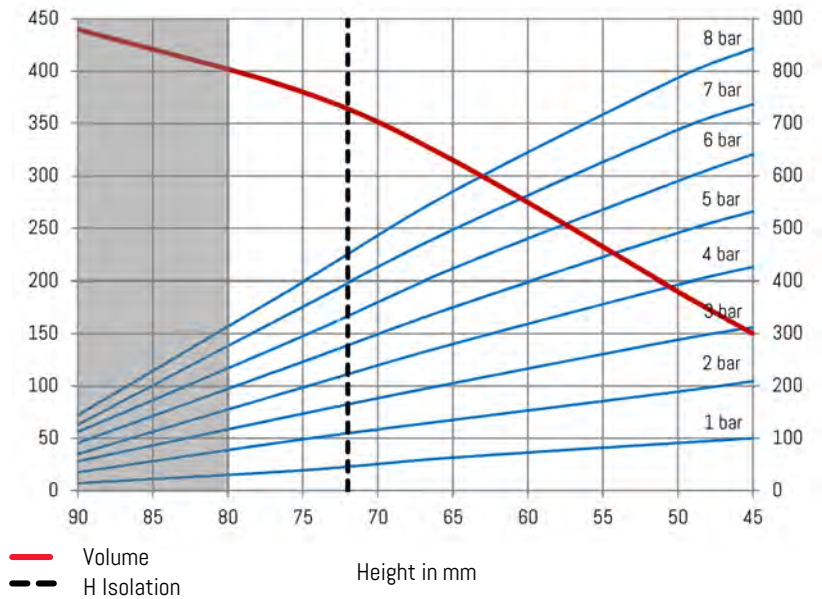
Dynamic characteristics at H = 72mm*

Pressure	2 bar	4 bar	6 bar
Load (daN)	105	220	335
Volume (dm ³)	0,316	0,340	0,365
Stiffness (daN/mm)	74,9	131,8	184,9
Natural frequency (Hz)	4,21	3,87	3,71
Isolation rate at 10Hz %	78,4%	82,4%	84,0%

* Recommended height for better isolation

Volume in cm³

Load in daN



Temperatures

Epichlore	-20°C (-30°C static)	+115°C (+120°C static)
-----------	----------------------	------------------------

References

DB0413/E Bellow 1 convolute 4"½ x 1 Epichlore aluminium screwed air inlet G^{3/8} centered

Characteristics in static condition (daN)

Height	2 bar	3 bar	4 bar	5 bar	6 bar	7 bar	8 bar	Vol 5 bar
45	209	312	426	532	641	737	843	150
50	189	288	393	491	590	688	787	190
65	135	205	280	350	423	497	570	315
72	109	165	223	279	336	398	455	360
75	98	147	197	246	295	351	398	380
80	77	117	157	197	238	281	321	402
90	35	56	70	91	112	126	144	440

Mounting instructions

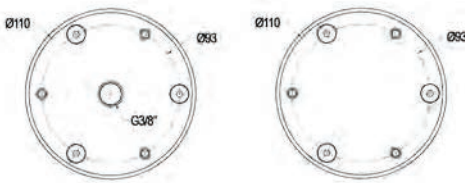
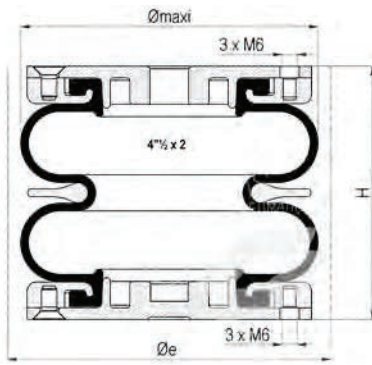
Fastening torque M6 x 1 : 7 to 11 Nm

Indicative value of force to reach the minimum height at atmospheric pressure is 12 daN.

Bellow 4" ½ x 2 alu

DB0424/B

INDUSTRY



Technical characteristics

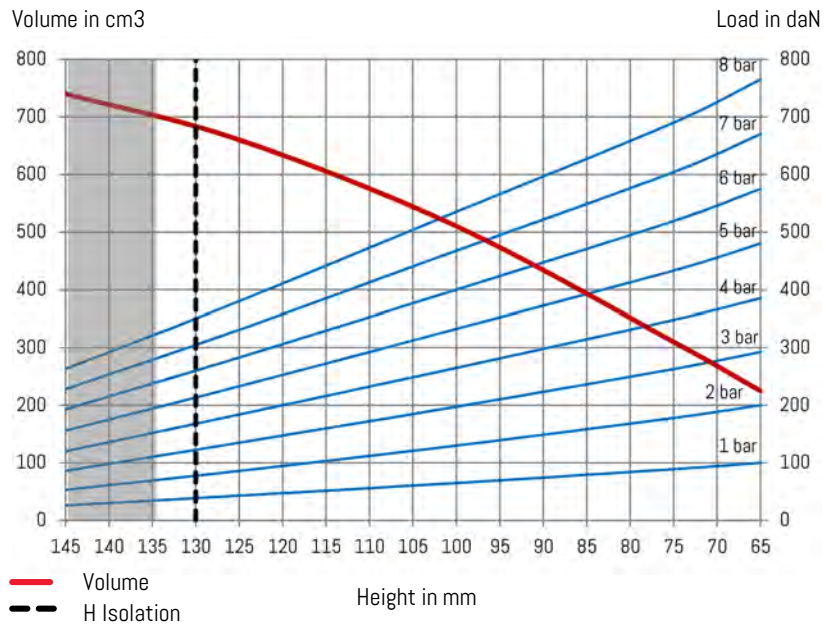
Maximum pressure	8 bar
Burst pressure	24 bar
Maximum angular capacity	10°
Maximum out of alignment	10 mm

Static diameter	114 mm
Maximum diameter	125 mm
Minimum overall diameter (Øe)	140 mm
Minimum height	65 mm
Static height (H)	100 mm
Maximum height	145 mm
Maximum recommended height	135 mm
Total stroke	80 mm
Effective area at static height	58 cm ²
Stiffness at 4 bar	12,50 daN/mm
Natural frequency at 4 bar	3 Hz
Weight	1 kg

Dynamic characteristics at H = 130mm*

Pressure	2 bar	4 bar	6 bar
Load (daN)	75	170	260
Volume (dm ³)	0,628	0,655	0,683
Stiffness (daN/mm)	26,5	49,5	71,4
Natural frequency (Hz)	2,94	2,71	2,62
Isolation rate at 10Hz %	90,6%	92,1%	92,6%

* Recommended height for better isolation



Temperatures

Chlorobutyl	-25°C (-35°C static)	+90°C (+100°C static)
-------------	----------------------	-----------------------

References

DB0424/B Bellow 2 convolutes 4" ½ x 2 Chlorobutyl aluminium screwed air inlet G3/8" centered

Characteristics in static condition (daN)

Height	2 bar	3 bar	4 bar	5 bar	6 bar	7 bar	8 bar	Vol 5 bar
65	200	293	385	480	575	670	765	225
75	178	263	348	433	519	604	690	310
100	130	198	265	333	400	468	535	510
125	86	135	184	233	283	331	380	660
130	77	123	167	213	260	306	351	681
135	69	111	151	193	238	280	321	703
145	53	86	120	156	193	228	263	740

Mounting instructions

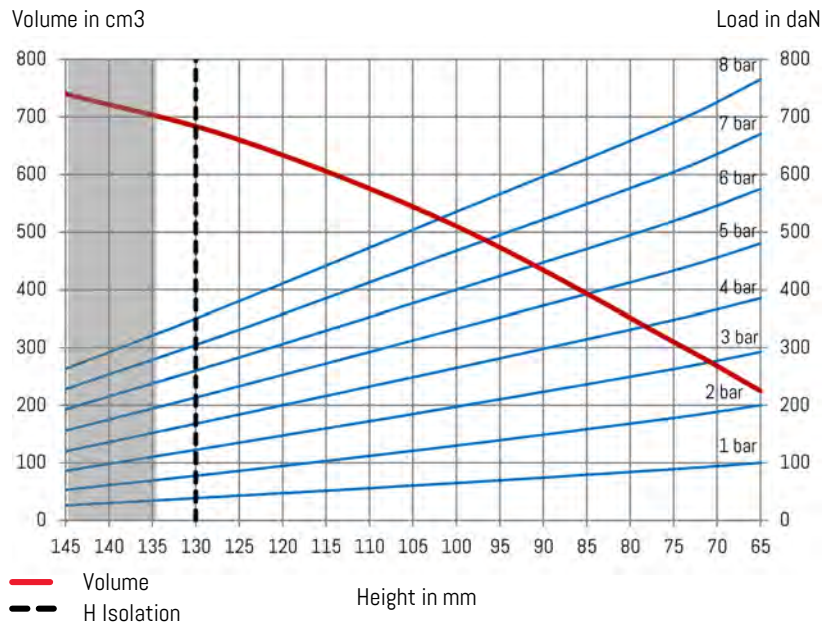
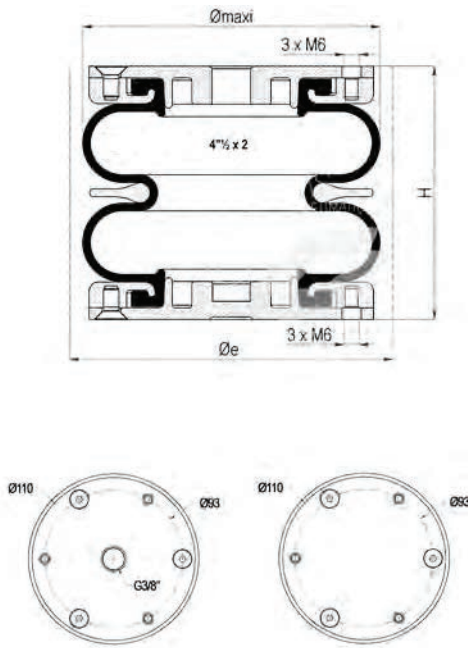
Fastening torque M6 x 1 : 7 to 11 Nm

Indicative value of force to reach the minimum height at atmospheric pressure is 13 daN.

Bellow 4" ½ x 2 alu

DB0424/E

INDUSTRY



Technical characteristics

Maximum pressure	8 bar
Burst pressure	24 bar
Maximum angular capacity	10°
Maximum out of alignment	10 mm

Static diameter	114 mm
Maximum diameter	125 mm
Minimum overall diameter (Øe)	140 mm
Minimum height	65 mm
Static height (H)	100 mm
Maximum height	145 mm
Maximum recommended height	135 mm
Total stroke	80 mm
Effective area at static height	58 cm²
Stiffness at 4 bar	12,50 daN/mm
Natural frequency at 4 bar	3 Hz
Weight	1 kg

Dynamic characteristics at H = 130mm*

Pressure	2 bar	4 bar	6 bar
Load (daN)	75	170	260
Volume (dm³)	0,628	0,655	0,683
Stiffness (daN/mm)	26,5	49,5	71,4
Natural frequency (Hz)	2,94	2,71	2,62
Isolation rate at 10Hz %	90,6%	92,1%	92,6%

* Recommended height for better isolation

Temperatures

Epichlore	-20°C (-30°C static)	+115°C (+120°C static)
-----------	----------------------	------------------------

References

DB0424/E	Bellow 2 convolutes 4" ½ x 2 Epichlore aluminium screwed air inlet G3/8" centered
----------	-----------------------------------------------------------------------------------

Characteristics in static condition (daN)

Height	2 bar	3 bar	4 bar	5 bar	6 bar	7 bar	8 bar	Vol 5 bar
65	200	293	385	480	575	670	765	225
75	178	263	348	433	519	604	690	310
100	130	198	265	333	400	468	535	510
125	86	135	184	233	283	331	380	660
130	77	123	167	213	260	306	351	681
135	69	111	151	193	238	280	321	703
145	53	86	120	156	193	228	263	740

Mounting instructions

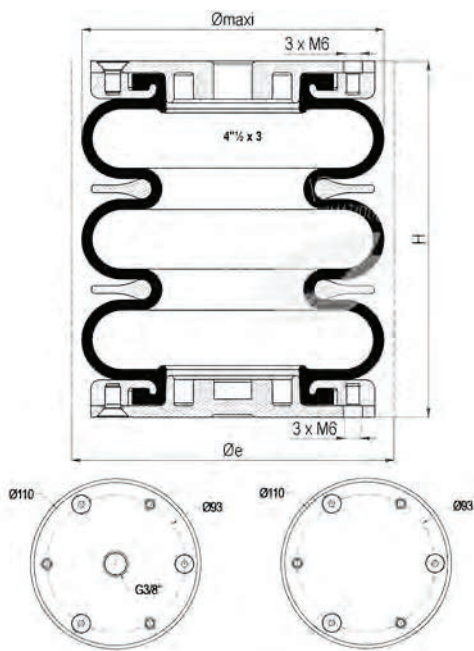
Fastening torque M6 x 1 : 7 to 11 Nm

Indicative value of force to reach the minimum height at atmospheric pressure is 13 daN.

Bellow 4" ½ x 3 alu

DB0434/B

INDUSTRY



Technical characteristics

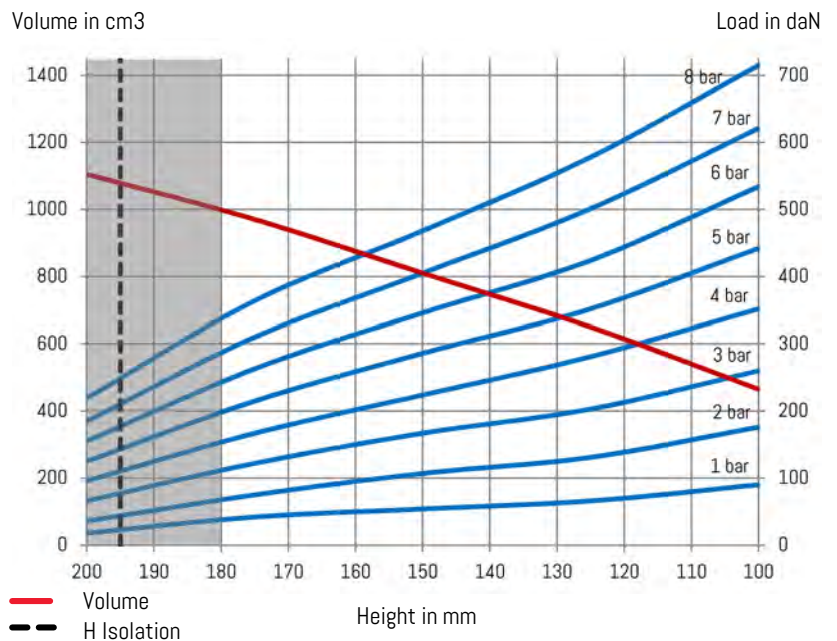
Maximum pressure	8 bar
Burst pressure	24 bar
Maximum angular capacity	10°
Maximum out of alignment	10 mm

Static diameter	114 mm
Maximum diameter	125 mm
Minimum overall diameter (Øe)	140 mm
Minimum height	100 mm
Static height (H)	145 mm
Maximum height	200 mm
Maximum recommended height	180 mm
Total stroke	100 mm
Effective area at static height	60 cm ²
Stiffness at 4 bar	8 daN/mm
Natural frequency at 4 bar	2,5 Hz
Weight	1,2 kg

Dynamic characteristics at H = 195mm*

Pressure	2 bar	4 bar	6 bar
Load (daN)	65	150	240
Volume (dm ³)	0,94	1,01	1,08
Stiffness (daN/mm)	13,1	25,5	36,8
Natural frequency (Hz)	2,20	2,04	1,96
Isolation rate at 10Hz %	94,9%	95,7%	96,0%

* Recommended height for better isolation



Temperatures

Chlorobutyl	-25°C (-35°C static)	+90°C (+100°C static)
-------------	----------------------	-----------------------

References

DB0434/B Bellow 3 convolutes 4" ½ x 3 Chlorobutyl aluminium screwed air inlet G^{3/8}centered

Characteristics in static condition (daN)

Height	2 bar	3 bar	4 bar	5 bar	6 bar	7 bar	8 bar	Vol 5 bar
100	176	260	352	442	534	621	715	465
125	131	203	281	352	424	501	578	650
145	112	174	237	300	363	427	495	783
150	107	167	224	286	346	405	468	810
175	75	122	167	215	263	310	364	970
180	66	108	149	191	235	278	326	997
195	47	79	111	144	179	213	252	1080
200	36	66	96	125	155	185	219	1105

Mounting instructions

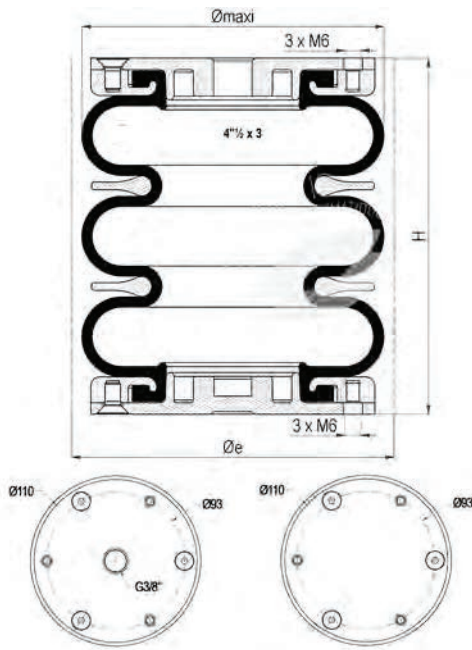
Fastening torque M6 x 1 : 7 to 11 Nm

Indicative value of force to reach the minimum height at atmospheric pressure is 14 daN.

Bellow 4" ½ x 3 alu

DB0434/E

INDUSTRY



Technical characteristics

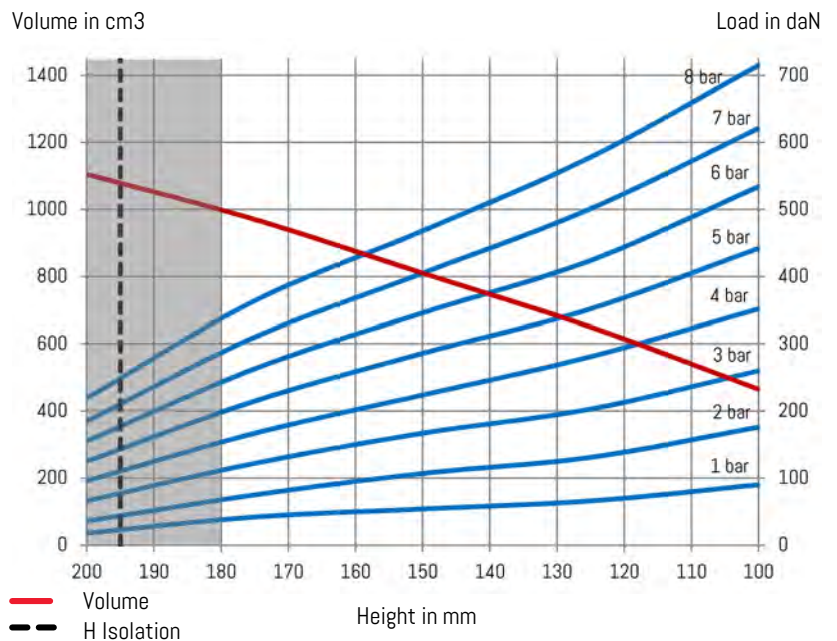
Maximum pressure	8 bar
Burst pressure	24 bar
Maximum angular capacity	10°
Maximum out of alignment	10 mm

Static diameter	114 mm
Maximum diameter	125 mm
Minimum overall diameter (Øe)	140 mm
Minimum height	100 mm
Static height (H)	145 mm
Maximum height	200 mm
Maximum recommended height	180 mm
Total stroke	100 mm
Effective area at static height	60 cm ²
Stiffness at 4 bar	8 daN/mm
Natural frequency at 4 bar	2,5 Hz
Weight	1,2 kg

Dynamic characteristics at H = 195mm*

Pressure	2 bar	4 bar	6 bar
Load (daN)	65	150	240
Volume (dm ³)	0,94	1,01	1,08
Stiffness (daN/mm)	13,1	25,5	36,8
Natural frequency (Hz)	2,20	2,04	1,96
Isolation rate at 10Hz %	94,9%	95,7%	96,0%

* Recommended height for better isolation



Temperatures

Epichlore	-20°C (-30°C static)	+115°C (+120°C static)
-----------	----------------------	------------------------

References

DB0434/E Bellow 3 convolutes 4" ½ x 3 Epichlore aluminium screwed air inlet G^{3/8} centered

Characteristics in static condition (daN)

Height	2 bar	3 bar	4 bar	5 bar	6 bar	7 bar	8 bar	Vol 5 bar
100	176	260	352	442	534	621	715	465
125	131	203	281	352	424	501	578	650
145	112	174	237	300	363	427	495	783
150	107	167	224	286	346	405	468	810
175	75	122	167	215	263	310	364	970
180	66	108	149	191	235	278	326	997
195	47	79	111	144	179	213	252	1080
200	36	66	96	125	155	185	219	1105

Mounting instructions

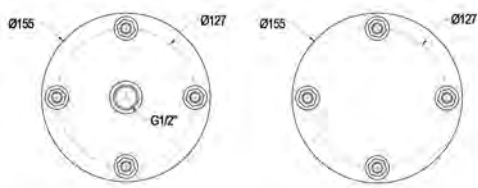
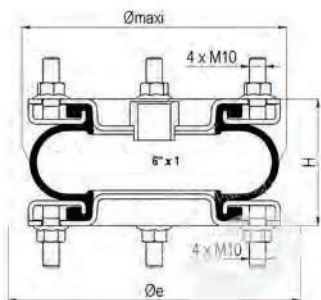
Fastening torque M6 x 1 : 7 to 11 Nm

Indicative value of force to reach the minimum height at atmospheric pressure is 14 daN.

Bellow 6" x 1 steel

DB0617/B

INDUSTRY



Technical characteristics

Maximum pressure	8 bar
Burst pressure	24 bar
Maximum angular capacity	10°
Maximum out of alignment	10 mm

Static diameter	152 mm
Maximum diameter	175 mm
Minimum overall diameter (Øe)	190 mm
Minimum height	50 mm
Static height (H)	80 mm
Maximum height	105 mm
Maximum recommended height	95 mm
Total stroke	55 mm
Effective area at static height	106 cm ²
Stiffness at 4 bar	76,70 daN/mm
Natural frequency at 4 bar	3,20 Hz
Weight	2,5 kg

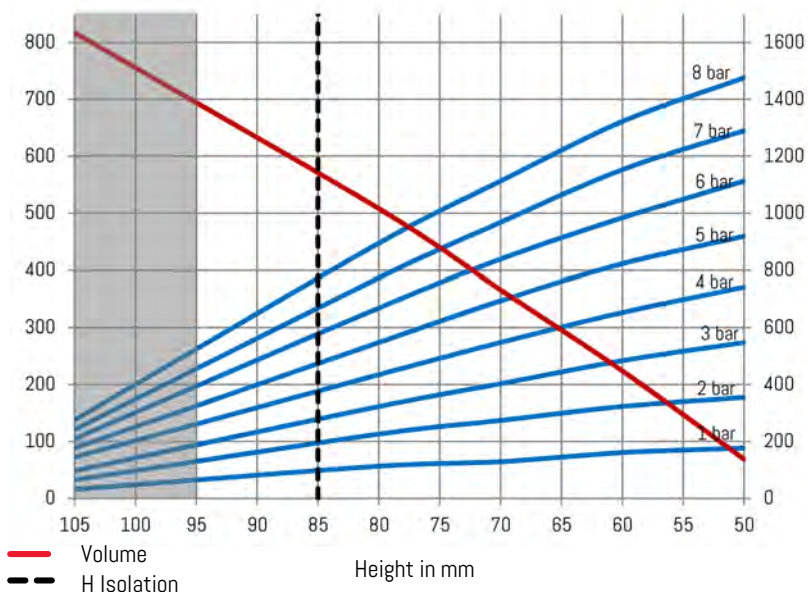
Dynamic characteristics at H = 85mm*

Pressure	2 bar	4 bar	6 bar
Load (daN)	170	365	570
Volume (dm ³)	0,76	0,78	0,81
Stiffness (daN/mm)	94,3	174,0	249,0
Natural frequency (Hz)	3,71	3,43	3,30
Isolation rate at 10Hz %	84,1%	86,6%	87,8%

* Recommended height for better isolation

Volume in cm³

Load in daN



Temperatures

Chlorobutyl	-25°C (-35°C static)	+90°C (+100°C static)
-------------	----------------------	-----------------------

References

DB0617/B Bellow 1 convolute 6" x 1 Chlorobutyl steel bolted air inlet G^{1/2} centered

Characteristics in static condition (daN)

Height	2 bar	3 bar	4 bar	5 bar	6 bar	7 bar	8 bar	Vol 5 bar
50	355	548	742	919	1 113	1 290	1 476	69
60	323	484	653	823	984	1 153	1 322	224
70	274	403	548	694	839	968	1 113	366
80	226	323	435	548	669	774	895	508
85	197	281	383	486	588	680	786	573
95	134	191	267	336	406	468	540	699
105	65	97	145	177	210	242	276	817

Mounting instructions

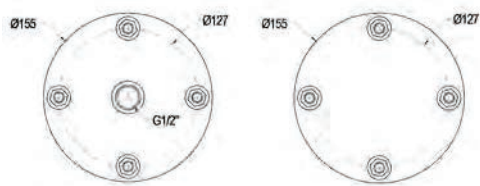
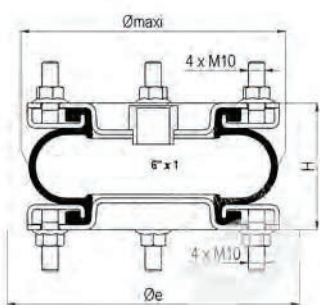
Fastening torque M10 x 1,5 : 20 to 28 Nm

Indicative value of force to reach the minimum height at atmospheric pressure is 14 daN.

Bellow 6" x 1 steel

DB0617/E

INDUSTRY



Technical characteristics

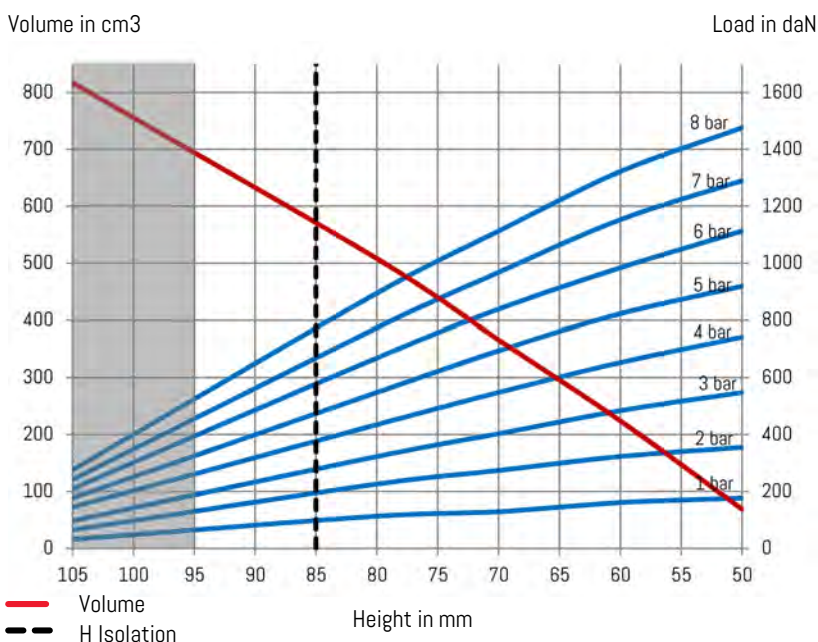
Maximum pressure	8 bar
Burst pressure	24 bar
Maximum angular capacity	10°
Maximum out of alignment	10 mm

Static diameter	152 mm
Maximum diameter	175 mm
Minimum overall diameter (Øe)	190 mm
Minimum height	50 mm
Static height (H)	80 mm
Maximum height	105 mm
Maximum recommended height	95 mm
Total stroke	55 mm
Effective area at static height	106 cm ²
Stiffness at 4 bar	76,70 daN/mm
Natural frequency at 4 bar	3,20 Hz
Weight	2,5 kg

Dynamic characteristics at H = 85mm*

Pressure	2 bar	4 bar	6 bar
Load (daN)	170	365	570
Volume (dm ³)	0,76	0,78	0,81
Stiffness (daN/mm)	94,3	174,0	249,0
Natural frequency (Hz)	3,71	3,43	3,30
Isolation rate at 10Hz %	84,1%	86,6%	87,8%

* Recommended height for better isolation



Temperatures

Epichlore	-20°C (-30°C static)	+115°C (+120°C static)
-----------	----------------------	------------------------

References

DB0617/E Bellow 1 convolute 6" x 1 Epichlore steel bolted air inlet G^{1/2} centered

Characteristics in static condition (daN)

Height	2 bar	3 bar	4 bar	5 bar	6 bar	7 bar	8 bar	Vol 5 bar
50	355	548	742	919	1 113	1 290	1 476	69
60	323	484	653	823	984	1 153	1 322	224
70	274	403	548	694	839	968	1 113	366
80	226	323	435	548	669	774	895	508
85	197	281	383	486	588	680	786	573
95	134	191	267	336	406	468	540	699
105	65	97	145	177	210	242	276	817

Mounting instructions

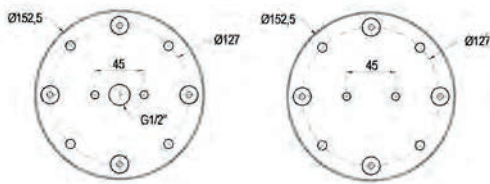
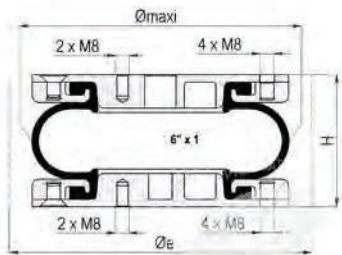
Fastening torque M10 x 1,5 : 20 to 28 Nm

Indicative value of force to reach the minimum height at atmospheric pressure is 14 daN.

Bellow 6" x 1 alu

DB06110/B

INDUSTRY



Technical characteristics

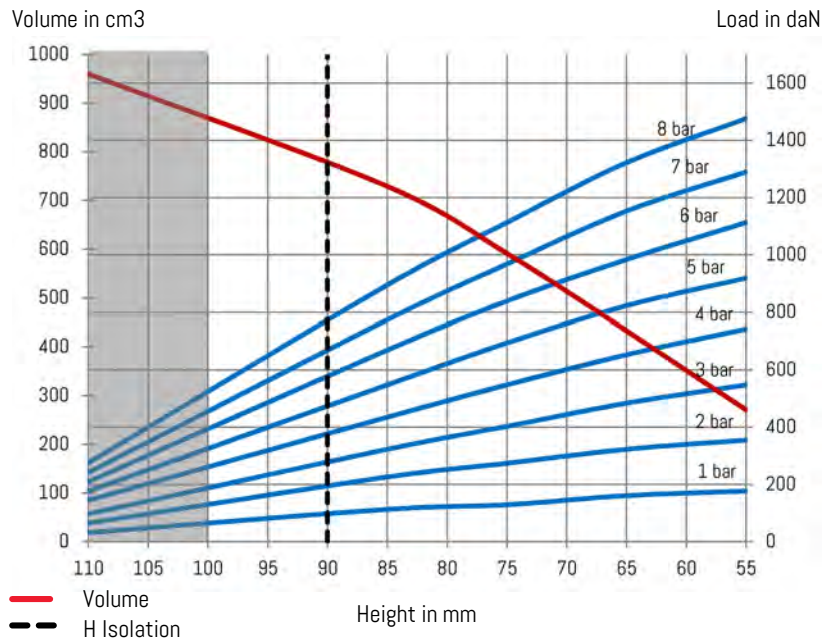
Maximum pressure	8 bar
Burst pressure	24 bar
Maximum angular capacity	10 °
Maximum out of alignment	10 mm

Static diameter	152 mm
Maximum diameter	175 mm
Minimum overall diameter (Øe)	190 mm
Minimum height	55 mm
Static height (H)	80 mm
Maximum height	110 mm
Maximum recommended height	100 mm
Total stroke	55 mm
Effective area at static height	106 cm ²
Stiffness at 4 bar	76,00 daN/mm
Natural frequency at 4 bar	3,20 Hz
Weight	2,0 kg

Dynamic characteristics at H = 90mm*

Pressure	2 bar	4 bar	6 bar
Load (daN)	185	395	610
Volume (dm ³)	0,73	0,75	0,78
Stiffness (daN/mm)	106,3	191,9	272,2
Natural frequency (Hz)	3,76	3,47	3,33
Isolation rate at 10Hz %	83,6%	86,3%	87,5%

* Recommended height for better isolation



Temperatures

Chlorobutyl	-25°C (-35°C static)	+90°C (+100°C static)
-------------	----------------------	-----------------------

References

DB06110/B Bellow 1 convolute 6" x 1 Chlorobutyl aluminium screwed air inlet G^{1/2} centered

Characteristics in static condition (daN)

Height	2 bar	3 bar	4 bar	5 bar	6 bar	7 bar	8 bar	Vol 5 bar
55	355	548	742	919	1 113	1 290	1 476	271
65	323	484	653	823	984	1 153	1 322	433
75	274	403	548	694	839	968	1 113	591
80	252	365	494	625	756	877	1 010	660
85	226	323	435	548	669	774	895	729
90	197	281	383	486	588	680	786	781
100	134	191	267	336	406	468	540	881
110	65	97	145	177	210	242	276	960

Mounting instructions

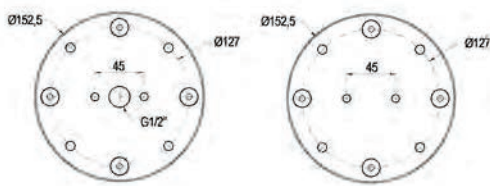
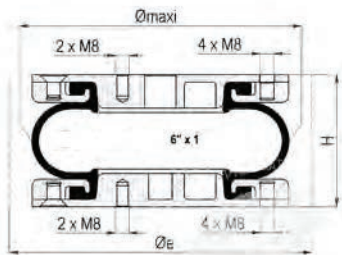
Fastening torque M8 x 1,25 : 12 Nm

Indicative value of force to reach the minimum height at atmospheric pressure is 14 daN.

Bellow 6" x 1 alu

DB06110/E

INDUSTRY



Technical characteristics

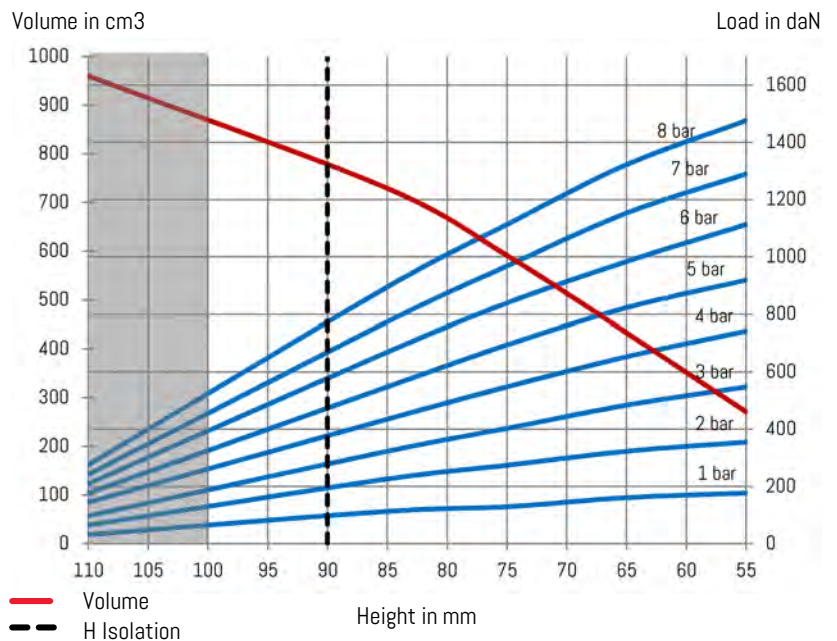
Maximum pressure	8 bar
Burst pressure	24 bar
Maximum angular capacity	10°
Maximum out of alignment	10 mm

Static diameter	152 mm
Maximum diameter	175 mm
Minimum overall diameter (Øe)	190 mm
Minimum height	55 mm
Static height (H)	80 mm
Maximum height	110 mm
Maximum recommended height	100 mm
Total stroke	55 mm
Effective area at static height	106 cm ²
Stiffness at 4 bar	76,00 daN/mm
Natural frequency at 4 bar	3,20 Hz
Weight	2,0 kg

Dynamic characteristics at H = 90mm*

Pressure	2 bar	4 bar	6 bar
Load (daN)	185	395	610
Volume (dm ³)	0,73	0,75	0,78
Stiffness (daN/mm)	106,3	191,9	272,2
Natural frequency (Hz)	3,76	3,47	3,33
Isolation rate at 10Hz %	83,6%	86,3%	87,5%

* Recommended height for better isolation



Temperatures

Epichlore	-20°C (-30°C static)	+115°C (+120°C static)
-----------	----------------------	------------------------

References

DB06110/E	Bellow 1 convolute 6" x 1 Epichlore aluminium screwed air inlet G ^{1/2} centered
-----------	-------------------------------------------------------------------------------------------

Characteristics in static condition (daN)

Height	2 bar	3 bar	4 bar	5 bar	6 bar	7 bar	8 bar	Vol 5 bar
55	355	548	742	919	1 113	1 290	1 476	271
65	323	484	653	823	984	1 153	1 322	433
75	274	403	548	694	839	968	1 113	591
80	252	365	494	625	756	877	1 010	660
85	226	323	435	548	669	774	895	729
90	197	281	383	486	588	680	786	781
100	134	191	267	336	406	468	540	881
110	65	97	145	177	210	242	276	960

Mounting instructions

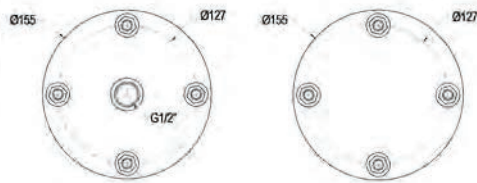
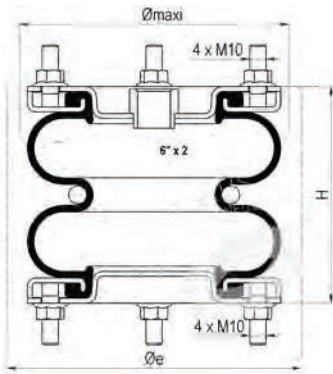
Fastening torque M8 x 1,25 : 12 Nm

Indicative value of force to reach the minimum height at atmospheric pressure is 14 daN.

Bellow 6" x 2 steel

DB0626/B

INDUSTRY



Technical characteristics

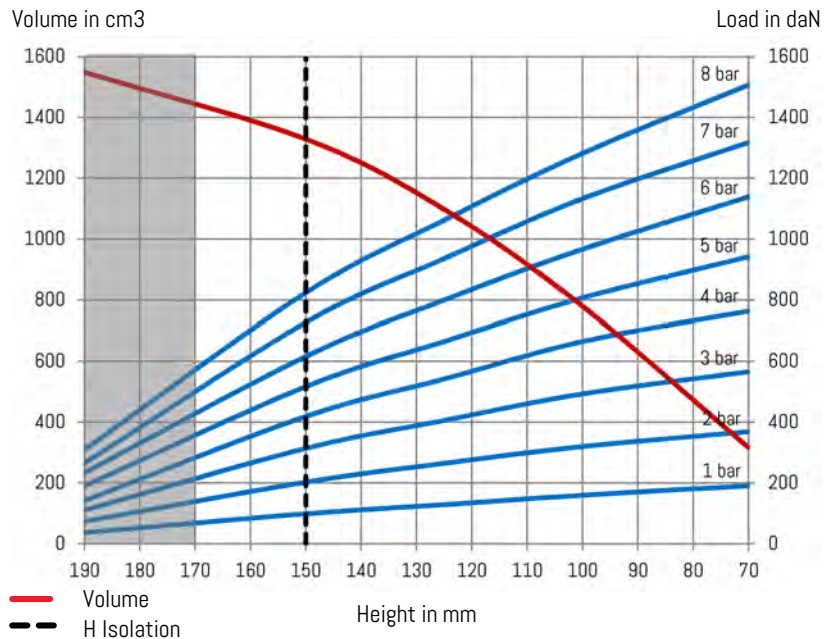
Maximum pressure	8 bar
Burst pressure	24 bar
Maximum angular capacity	10°
Maximum out of alignment	10 mm

Static diameter	152 mm
Maximum diameter	175 mm
Minimum overall diameter (Øe)	190 mm
Minimum height	70 mm
Static height (H)	130 mm
Maximum height	190 mm
Maximum recommended height	170 mm
Total stroke	120 mm
Effective area at static height	125 cm ²
Stiffness at 4 bar	24,9 daN/mm
Natural frequency at 4 bar	2,80 Hz
Weight	2,7 kg

Dynamic characteristics at H = 150mm*

Pressure	2 bar	4 bar	6 bar
Load (daN)	180	375	575
Volume (dm ³)	1,53	1,59	1,64
Stiffness (daN/mm)	45,5	81,7	116,9
Natural frequency (Hz)	2,51	2,33	2,25
Isolation rate at 10Hz %	93,3%	94,3%	94,7%

* Recommended height for better isolation



Temperatures

Chlorobutyl	-25°C (-35°C static)	+90°C (+100°C static)
-------------	----------------------	-----------------------

References

DB0626/B	Bellow 2 convolutes 6" x 2 Chlorobutyl steel bolted air inlet G ^{1/2} centered
----------	-----------------------------------------------------------------------------------------

Characteristics in static condition (daN)

Height	2 bar	3 bar	4 bar	5 bar	6 bar	7 bar	8 bar	Vol 5 bar
70	369	566	764	942	1 139	1 318	1 507	317
100	320	493	665	807	967	1 133	1 282	780
125	265	406	542	665	800	936	1 062	1098
130	254	391	525	641	768	902	1 021	1147
150	203	314	419	517	616	727	824	1329
170	142	216	287	359	433	505	575	1462
190	74	111	142	191	234	265	310	1549

Mounting instructions

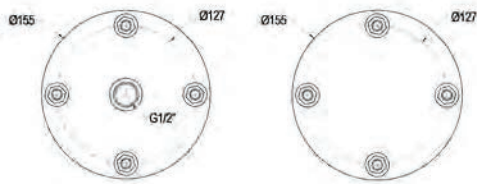
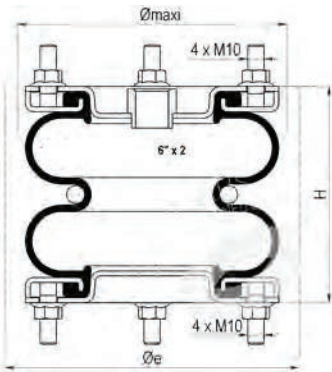
Fastening torque M10 x 1,5 : 20 to 28 Nm

Indicative value of force to reach the minimum height at atmospheric pressure is 17 daN.

Bellow 6" x 2 steel

DB0626/E

INDUSTRY



Technical characteristics

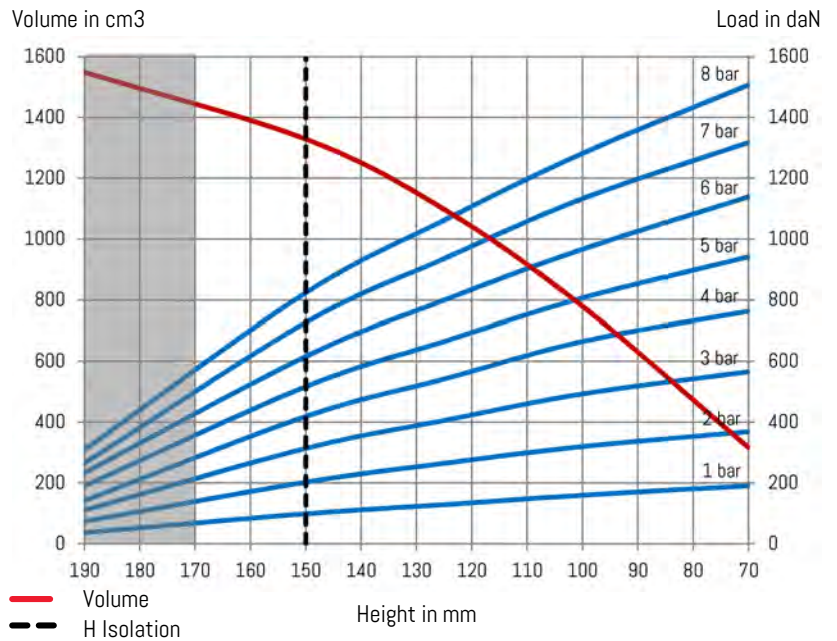
Maximum pressure	8 bar
Burst pressure	24 bar
Maximum angular capacity	10°
Maximum out of alignment	10 mm

Static diameter	152 mm
Maximum diameter	175 mm
Minimum overall diameter (Øe)	190 mm
Minimum height	70 mm
Static height (H)	130 mm
Maximum height	190 mm
Maximum recommended height	170 mm
Total stroke	120 mm
Effective area at static height	125 cm ²
Stiffness at 4 bar	24,9 daN/mm
Natural frequency at 4 bar	2,80 Hz
Weight	2,7 kg

Dynamic characteristics at H = 150mm*

Pressure	2 bar	4 bar	6 bar
Load (daN)	180	375	575
Volume (dm ³)	1,53	1,59	1,64
Stiffness (daN/mm)	45,5	81,7	116,9
Natural frequency (Hz)	2,51	2,33	2,25
Isolation rate at 10Hz %	93,3%	94,3%	94,7%

* Recommended height for better isolation



Temperatures

Epichlore	-20°C (-30°C static)	+115°C (+120°C static)
-----------	----------------------	------------------------

References

DB0626/E	Bellow 2 convolutes 6" x 2 Epichlore steel bolted air inlet G1/2 centered
----------	---------------------------------------------------------------------------

Characteristics in static condition (daN)

Height	2 bar	3 bar	4 bar	5 bar	6 bar	7 bar	8 bar	Vol 5 bar
70	369	566	764	942	1 139	1 318	1 507	317
100	320	493	665	807	967	1 133	1 282	780
125	265	406	542	665	800	936	1 062	1098
130	254	391	525	641	768	902	1 021	1147
150	203	314	419	517	616	727	824	1329
170	142	216	287	359	433	505	575	1462
190	74	111	142	191	234	265	310	1549

Mounting instructions

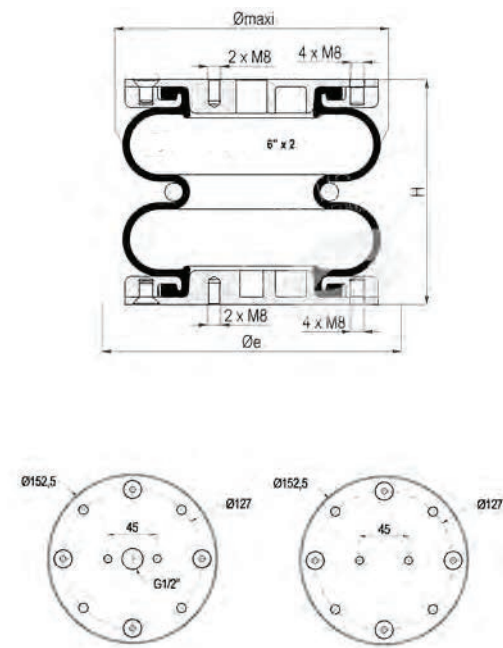
Fastening torque M10 x 1,5 : 20 to 28 Nm

Indicative value of force to reach the minimum height at atmospheric pressure is 17 daN.

Bellow 6" x 2 alu

DB0629/B

INDUSTRY



Technical characteristics

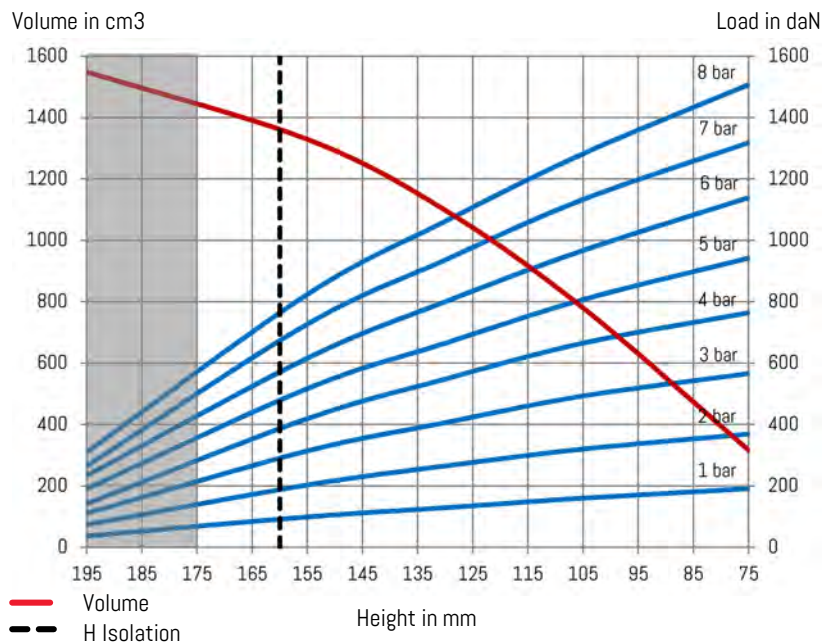
Maximum pressure	8 bar
Burst pressure	24 bar
Maximum angular capacity	10°
Maximum out of alignment	10 mm

Static diameter	152 mm
Maximum diameter	175 mm
Minimum overall diameter (Øe)	190 mm
Minimum height	75 mm
Static height (H)	130 mm
Maximum height	195 mm
Maximum recommended height	175 mm
Total stroke	120 mm
Effective area at static height	125 cm ²
Stiffness at 4 bar	24,00 daN/mm
Natural frequency at 4 bar	2,80 Hz
Weight	2,7 kg

Dynamic characteristics at H = 160mm*

Pressure	2 bar	4 bar	6 bar
Load (daN)	175	365	560
Volume (dm ³)	1,55	1,61	1,66
Stiffness (daN/mm)	44,1	79,4	114,0
Natural frequency (Hz)	2,51	2,33	2,25
Isolation rate at 10Hz %	93,3%	94,3%	94,7%

* Recommended height for better isolation



Temperatures

Chlorobutyl	-25°C (-35°C static)	+90°C (+100°C static)
-------------	----------------------	-----------------------

References

DB0629/B	Bellow 2 convolutes 6" x 2 Chlorobutyl aluminium screwed air inlet G1/2 centered
----------	----------------------------------------------------------------------------------

Characteristics in static condition (daN)

Height	2 bar	3 bar	4 bar	5 bar	6 bar	7 bar	8 bar	Vol 5 bar
75	369	566	764	942	1 139	1 318	1 507	317
105	320	493	665	807	967	1 133	1 282	780
130	265	406	548	665	800	936	1 062	1098
155	203	314	419	517	616	727	824	1329
160	187	287	386	472	567	665	754	1366
175	142	216	288	359	433	505	575	1462
195	74	111	142	191	234	265	310	1549

Mounting instructions

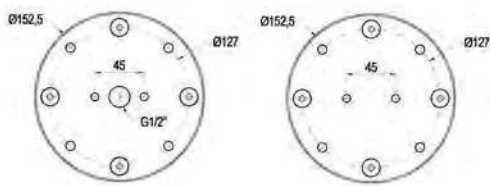
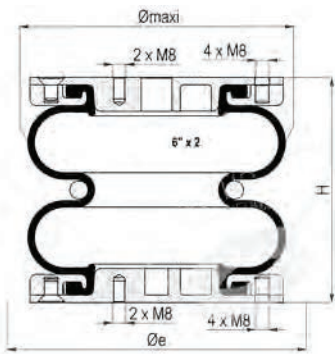
Fastening torque M8 x 1,25 : 12 Nm

Indicative value of force to reach the minimum height at atmospheric pressure is 17 daN.

Bellow 6" x 2 alu

DB0629/E

INDUSTRY



Technical characteristics

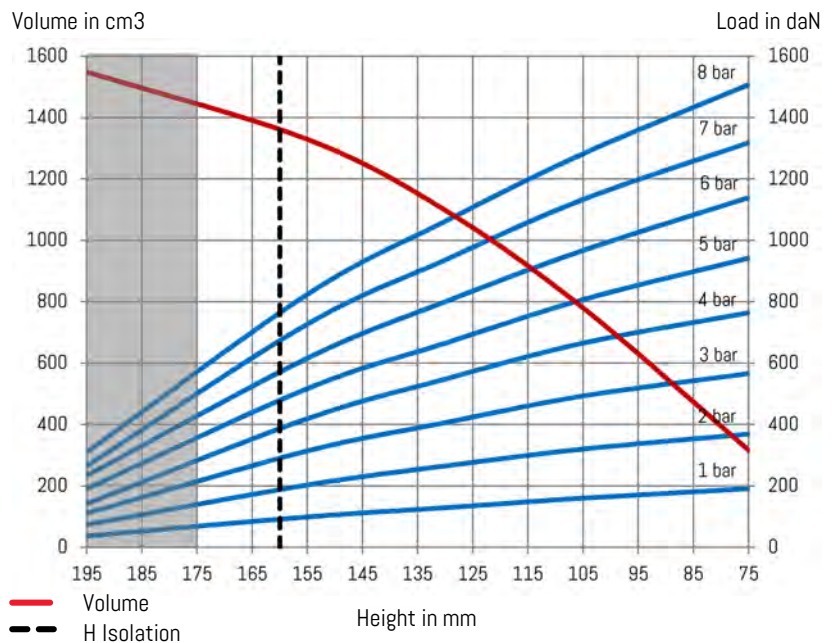
Maximum pressure	8 bar
Burst pressure	24 bar
Maximum angular capacity	10°
Maximum out of alignment	10 mm

Static diameter	152 mm
Maximum diameter	175 mm
Minimum overall diameter (Øe)	190 mm
Minimum height	75 mm
Static height (H)	130 mm
Maximum height	195 mm
Maximum recommended height	175 mm
Total stroke	120 mm
Effective area at static height	125 cm ²
Stiffness at 4 bar	24,00 daN/mm
Natural frequency at 4 bar	2,80 Hz
Weight	2,7 kg

Dynamic characteristics at H = 160mm*

Pressure	2 bar	4 bar	6 bar
Load (daN)	175	365	560
Volume (dm ³)	1,55	1,61	1,66
Stiffness (daN/mm)	44,1	79,4	114,0
Natural frequency (Hz)	2,51	2,33	2,25
Isolation rate at 10Hz %	93,3%	94,3%	94,7%

* Recommended height for better isolation



Temperatures

Epichlore	-20°C (-30°C static)	+115°C (+120°C static)
-----------	----------------------	------------------------

References

DB0629/E	Bellow 2 convolutes 6" x 2 Epichlore aluminium screwed air inlet G ^{1/2} centered
----------	--------------------------------------------------------------------------------------------

Characteristics in static condition (daN)

Height	2 bar	3 bar	4 bar	5 bar	6 bar	7 bar	8 bar	Vol 5 bar
75	369	566	764	942	1 139	1 318	1 507	317
105	320	493	665	807	967	1 133	1 282	780
130	265	406	548	665	800	936	1 062	1098
155	203	314	419	517	616	727	824	1329
160	187	287	386	472	567	665	754	1366
175	142	216	288	359	433	505	575	1462
195	74	111	142	191	234	265	310	1549

Mounting instructions

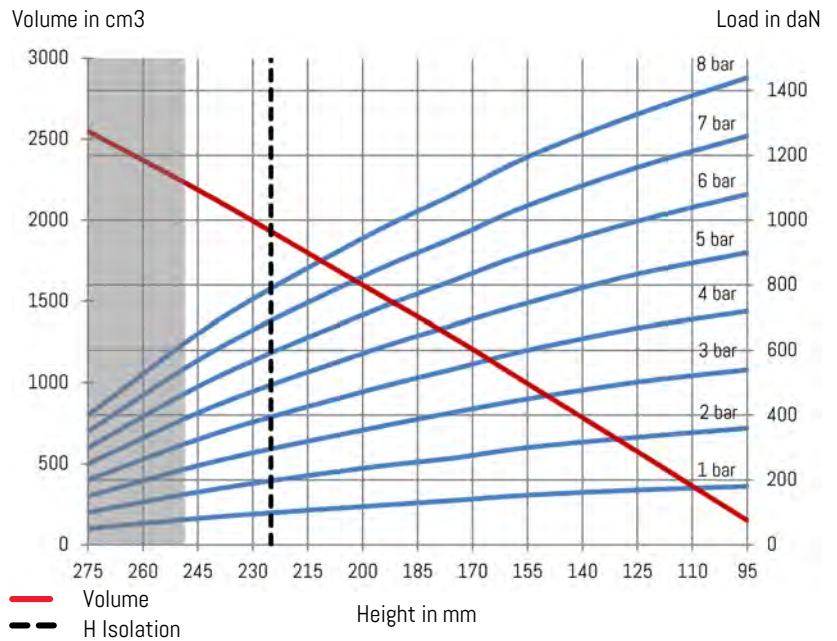
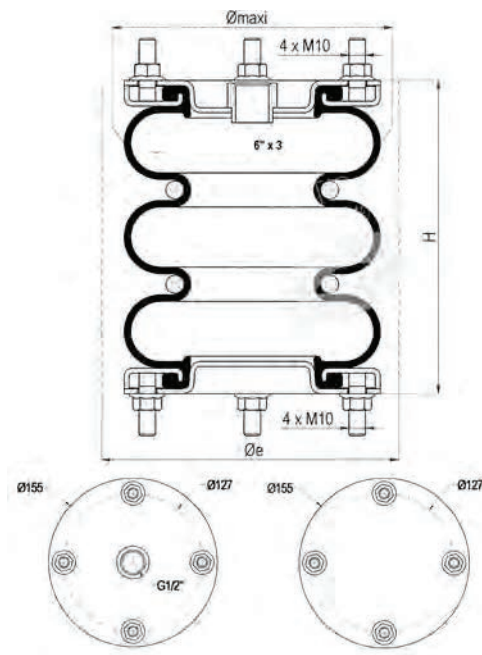
Fastening torque M8 x 1,25 : 12 Nm

Indicative value of force to reach the minimum height at atmospheric pressure is 17 daN.

Bellow 6" x 3 steel

DB0636/B

INDUSTRY



Technical characteristics

Maximum pressure	8 bar
Burst pressure	24 bar
Maximum angular capacity	10°
Maximum out of alignment	10 mm

Static diameter	152 mm
Maximum diameter	175 mm
Minimum overall diameter (Øe)	190 mm
Minimum height	95 mm
Static height (H)	190 mm
Maximum height	275 mm
Maximum recommended height	250 mm
Total stroke	180 mm
Effective area at static height	117 cm ²
Stiffness at 4 bar	11,70 daN/mm
Natural frequency at 4 bar	2,04 Hz
Weight	3,0 kg

Dynamic characteristics at H = 225mm*

Pressure	2 bar	4 bar	6 bar
Load (daN)	170	360	545
Volume (dm ³)	2,17	2,30	2,42
Stiffness (daN/mm)	29,1	52,7	75,5
Natural frequency (Hz)	2,07	1,91	1,85
Isolation rate at 10Hz %	95,5%	96,2%	96,5%

* Recommended height for better isolation

Temperatures

Chlorobutyl	-25°C (-35°C static)	+90°C (+100°C static)
-------------	----------------------	-----------------------

References

DB0636/B	Bellow 3 convolutes 6" x 3 Chlorobutyl steel bolted air inlet G1/2 centered
----------	-----------------------------------------------------------------------------

Characteristics in static condition (daN)

Height	2 bar	3 bar	4 bar	5 bar	6 bar	7 bar	8 bar	Vol 5 bar
95	360	540	720	900	1 080	1 260	1 440	150
125	332	502	668	834	997	1 163	1 327	575
155	300	450	600	745	898	1 045	1 195	995
175	268	409	543	678	815	946	1 081	1275
190	250	378	503	629	754	879	1 006	1470
200	236	354	472	590	708	826	944	1600
225	194	293	390	490	586	685	784	1926
240	172	258	344	430	516	602	688	2125
250	149	225	299	378	450	528	606	2242
275	100	150	200	250	300	350	400	2550

Mounting instructions

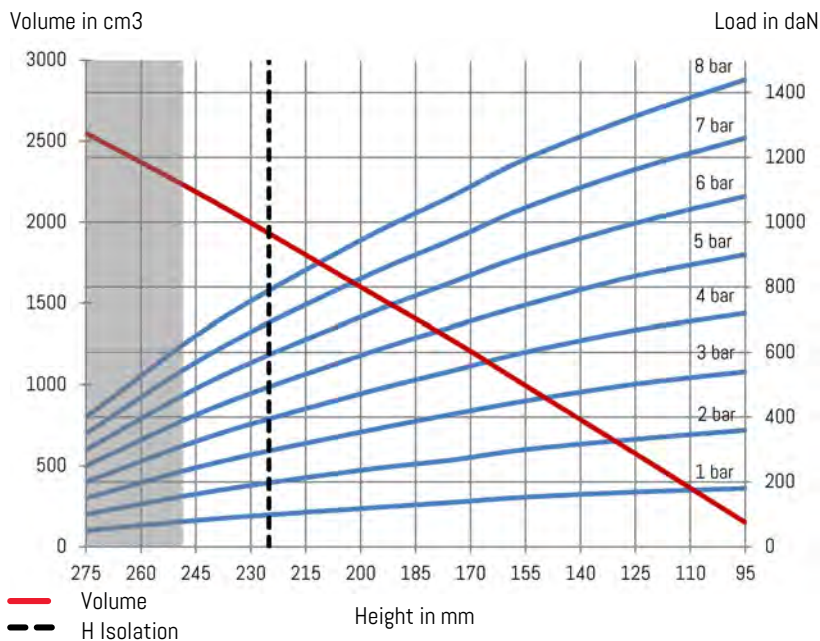
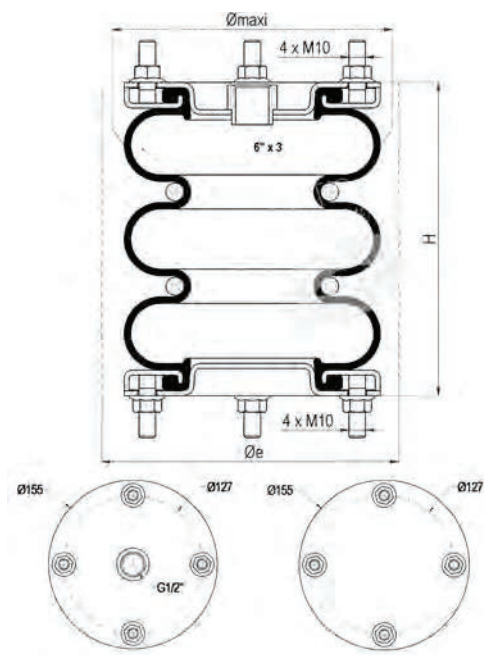
Fastening torque M10 x 1,5 : 20 to 28 Nm

Indicative value of force to reach the minimum height at atmospheric pressure is 19 daN.

Bellow 6" x 3 steel

DB0636/E

INDUSTRY



Technical characteristics

Maximum pressure	8 bar
Burst pressure	24 bar
Maximum angular capacity	10°
Maximum out of alignment	10 mm

Static diameter	152 mm
Maximum diameter	175 mm
Minimum overall diameter (Øe)	190 mm
Minimum height	95 mm
Static height (H)	190 mm
Maximum height	275 mm
Maximum recommended height	250 mm
Total stroke	180 mm
Effective area at static height	117 cm ²
Stiffness at 4 bar	11,70 daN/mm
Natural frequency at 4 bar	2,04 Hz
Weight	3,0 kg

Dynamic characteristics at H = 225mm*

Pressure	2 bar	4 bar	6 bar
Load (daN)	170	360	545
Volume (dm ³)	2,17	2,30	2,42
Stiffness (daN/mm)	29,1	52,7	75,5
Natural frequency (Hz)	2,07	1,91	1,85
Isolation rate at 10Hz %	95,5%	96,2%	96,5%

* Recommended height for better isolation

Temperatures

Epichlore	-20°C (-30°C static)	+115°C (+120°C static)
-----------	----------------------	------------------------

References

DB0636/E	Bellow 3 convolutes 6" x 3 Epichlore steel bolted air inlet G1/2 centered
----------	---------------------------------------------------------------------------

Characteristics in static condition (daN)

Height	2 bar	3 bar	4 bar	5 bar	6 bar	7 bar	8 bar	Vol 5 bar
95	360	540	720	900	1 080	1 260	1 440	150
125	332	502	668	834	997	1 163	1 327	575
155	300	450	600	745	898	1 045	1 195	995
175	268	409	543	678	815	946	1 081	1275
190	250	378	503	629	754	879	1 006	1470
200	236	354	472	590	708	826	944	1600
225	194	293	390	490	586	685	784	1926
240	172	258	344	430	516	602	688	2125
250	149	225	299	378	450	528	606	2242
275	100	150	200	250	300	350	400	2550

Mounting instructions

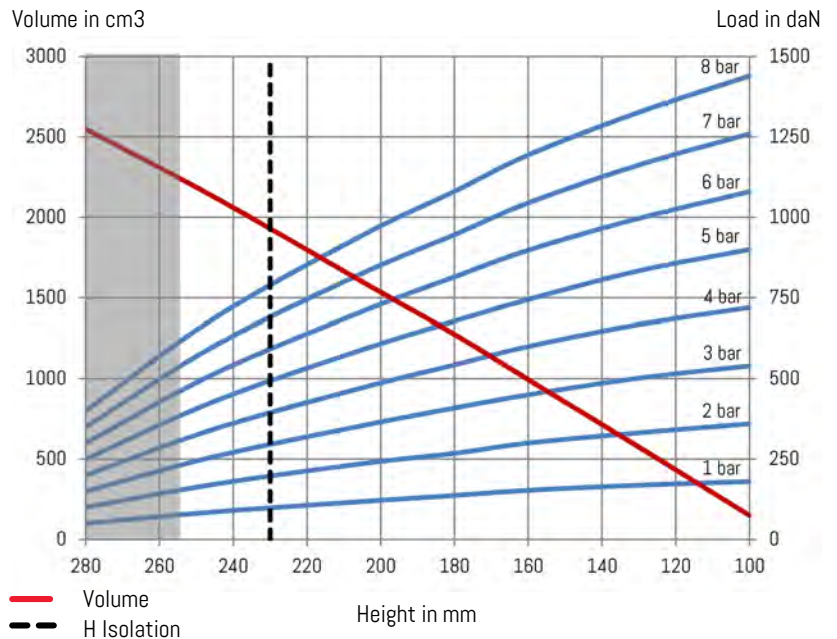
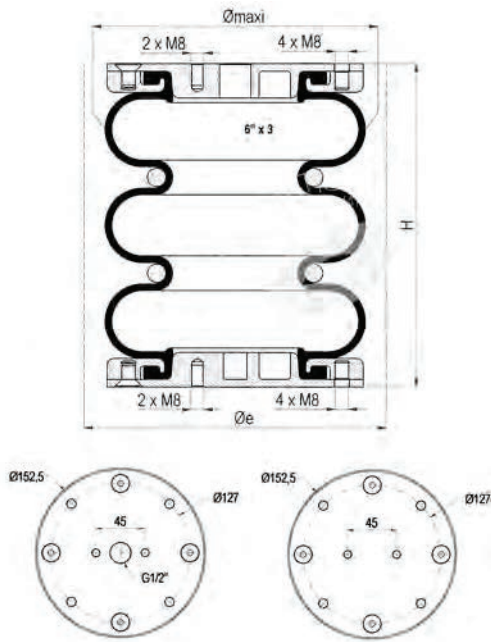
Fastening torque M10 x 1,5 : 20 to 28 Nm

Indicative value of force to reach the minimum height at atmospheric pressure is 19 daN.

Bellow 6" x 3 alu

DB0639/B

INDUSTRY



Technical characteristics

Maximum pressure	8 bar
Burst pressure	24 bar
Maximum angular capacity	10°
Maximum out of alignment	10 mm

Static diameter	152 mm
Maximum diameter	175 mm
Minimum overall diameter (Øe)	190 mm
Minimum height	100 mm
Static height (H)	190 mm
Maximum height	280 mm
Maximum recommended height	255 mm
Total stroke	180 mm
Effective area at static height	117 cm ²
Stiffness at 4 bar	11,70 daN/mm
Natural frequency at 4 bar	2,04 Hz
Weight	3,0 kg

Dynamic characteristics at H = 230mm*

Pressure	2 bar	4 bar	6 bar
Load (daN)	175	365	560
Volume (dm ³)	2,16	2,30	2,40
Stiffness (daN/mm)	29,9	54,0	77,3
Natural frequency (Hz)	2,07	1,91	1,85
Isolation rate at 10Hz %	95,5%	96,2%	96,4%

* Recommended height for better isolation

Temperatures

Chlorobutyl	-25°C (-35°C static)	+90°C (+100°C static)
-------------	----------------------	-----------------------

References

DB0639/B Bellow 3 convolutes 6" x 3 Chlorobutyl aluminium screwed air inlet G1/2 centered

Characteristics in static condition (daN)

Height	2 bar	3 bar	4 bar	5 bar	6 bar	7 bar	8 bar	Vol 5 bar
100	360	540	720	900	1 080	1 260	1 440	150
130	332	502	668	834	997	1 163	1 327	575
160	300	450	600	745	898	1 045	1 194	995
180	268	409	543	678	815	946	1 081	1275
190	257	389	517	647	776	905	1 034	1403
205	236	354	472	590	708	826	944	1600
230	194	293	390	490	586	685	783	1926
245	172	258	344	430	516	602	688	2125
255	149	225	299	378	450	528	603	2242
280	100	150	200	250	300	350	400	2550

Mounting instructions

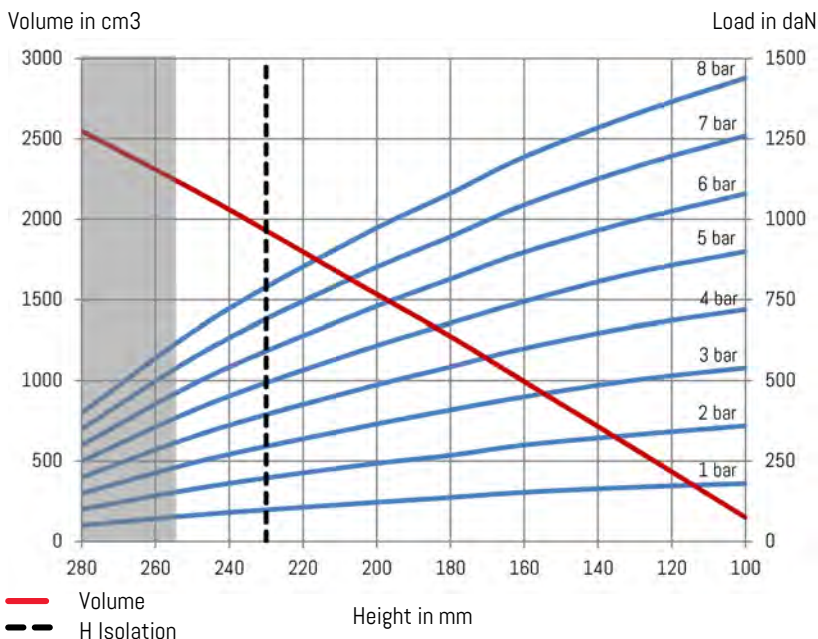
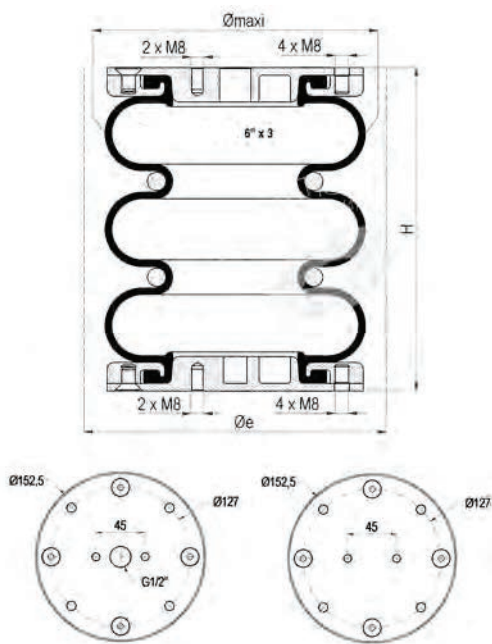
Fastening torque M8 x 1,25 : 12 Nm

Indicative value of force to reach the minimum height at atmospheric pressure is 14 daN.

Bellow 6" x 3 alu

DB0639/E

INDUSTRY



Technical characteristics

Maximum pressure	8 bar
Burst pressure	24 bar
Maximum angular capacity	10°
Maximum out of alignment	10 mm

Static diameter	152 mm
Maximum diameter	175 mm
Minimum overall diameter (Øe)	190 mm
Minimum height	100 mm
Static height (H)	190 mm
Maximum height	280 mm
Maximum recommended height	255 mm
Total stroke	180 mm
Effective area at static height	117 cm ²
Stiffness at 4 bar	11,70 daN/mm
Natural frequency at 4 bar	2,04 Hz
Weight	3,0 kg

Dynamic characteristics at H = 230mm*

Pressure	2 bar	4 bar	6 bar
Load (daN)	175	365	560
Volume (dm ³)	2,16	2,30	2,40
Stiffness (daN/mm)	29,9	54,0	77,3
Natural frequency (Hz)	2,07	1,91	1,85
Isolation rate at 10Hz %	95,5%	96,2%	96,4%

* Recommended height for better isolation

Temperatures

Epichlore	-20°C (-30°C static)	+115°C (+120°C static)
-----------	----------------------	------------------------

References

DB0639/E Bellow 3 convolutes 6" x 3 Epichlore aluminium screwed air inlet G1/2 centered

Characteristics in static condition (daN)

Height	2 bar	3 bar	4 bar	5 bar	6 bar	7 bar	8 bar	Vol 5 bar
100	360	540	720	900	1 080	1 260	1 440	150
130	332	502	668	834	997	1 163	1 327	575
160	300	450	600	745	898	1 045	1 194	995
180	268	409	543	678	815	946	1 081	1275
190	257	389	517	647	776	905	1 034	1403
205	236	354	472	590	708	826	944	1600
230	194	293	390	490	586	685	783	1926
245	172	258	344	430	516	602	688	2125
255	149	225	299	378	450	528	603	2242
280	100	150	200	250	300	350	400	2550

Mounting instructions

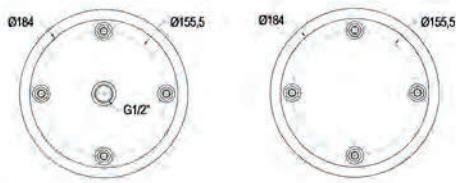
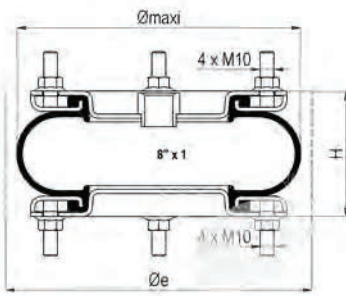
Fastening torque M8 x 1,25 : 12 Nm

Indicative value of force to reach the minimum height at atmospheric pressure is 14 daN.

Bellow 8" x 1 steel

DB0817/B

INDUSTRY



Technical characteristics

Maximum pressure	8 bar
Burst pressure	24 bar
Maximum angular capacity	10°
Maximum out of alignment	10 mm

Static diameter	203 mm
Maximum diameter	230 mm
Minimum overall diameter (Øe)	245 mm
Minimum height	50 mm
Static height (H)	90 mm
Maximum height	125 mm
Maximum recommended height	115 mm
Total stroke	75 mm
Effective area at static height	208 cm ²
Stiffness at 4 bar	56,00 daN/mm
Natural frequency at 4 bar	3,00 Hz
Weight	3,05 kg

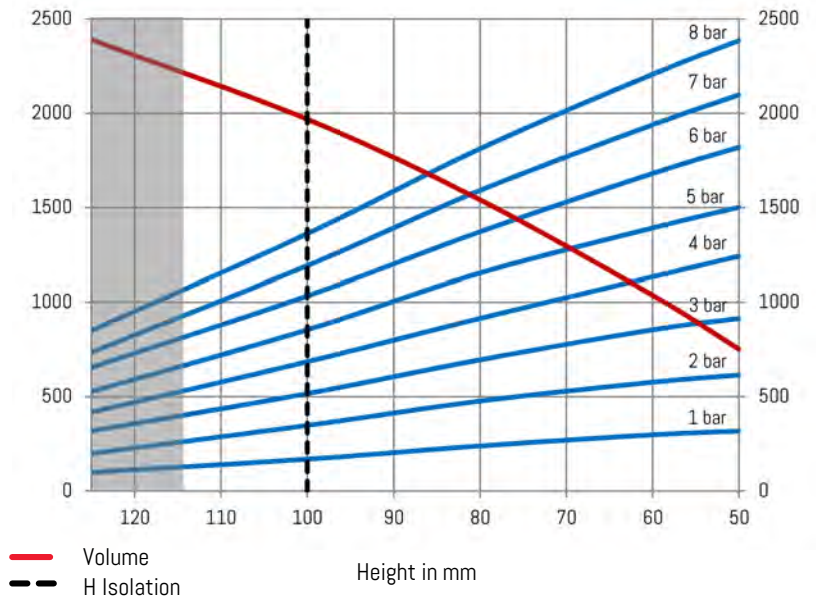
Dynamic characteristics at H = 100mm*

Pressure	2 bar	4 bar	6 bar
Load (daN)	355	725	1105
Volume (dm ³)	1,83	1,90	1,96
Stiffness (daN/mm)	134,0	237,9	342,1
Natural frequency (Hz)	3,05	2,86	2,77
Isolation rate at 10Hz %	89,7%	91,1%	91,7%

* Recommended height for better isolation

Volume in cm³

Load in daN



Temperatures

Chlorobutyl	-25°C (-35°C static)	+90°C (+100°C static)
-------------	----------------------	-----------------------

References

DB0817/B	Bellow 1 convolute 8" x 1 Chlorobutyl steel bolted air inlet G1/2 centered
----------	----------------------------------------------------------------------------

Characteristics in static condition (daN)

Height	2 bar	3 bar	4 bar	5 bar	6 bar	7 bar	8 bar	Vol 5 bar
50	615	915	1 243	1 502	1 820	2 098	2 386	752
60	577	855	1 134	1 392	1 681	1 939	2 207	1037
80	477	696	915	1 154	1 372	1 591	1 812	1541
90	415	610	801	1 008	1 206	1 396	1 591	1764
100	348	517	686	855	1 034	1 193	1 362	1968
115	263	400	526	665	811	925	1 062	2236
125	199	318	418	527	656	736	851	2390

Mounting instructions

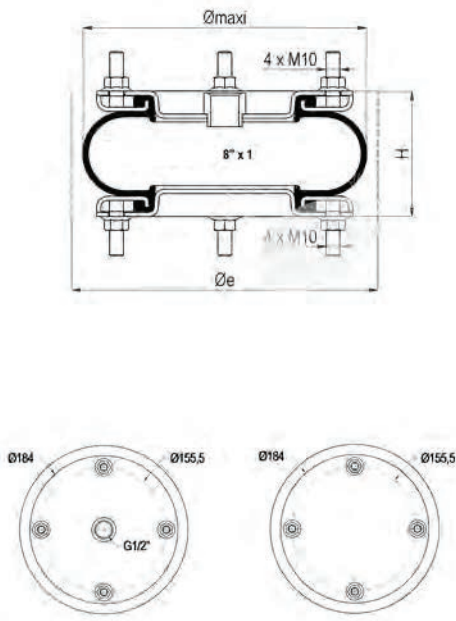
Fastening torque M10 x 1,5 : 20 to 28 Nm

Indicative value of force to reach the minimum height at atmospheric pressure is 12 daN.

Bellow 8" x 1 steel

DB0817/E

INDUSTRY



Technical characteristics

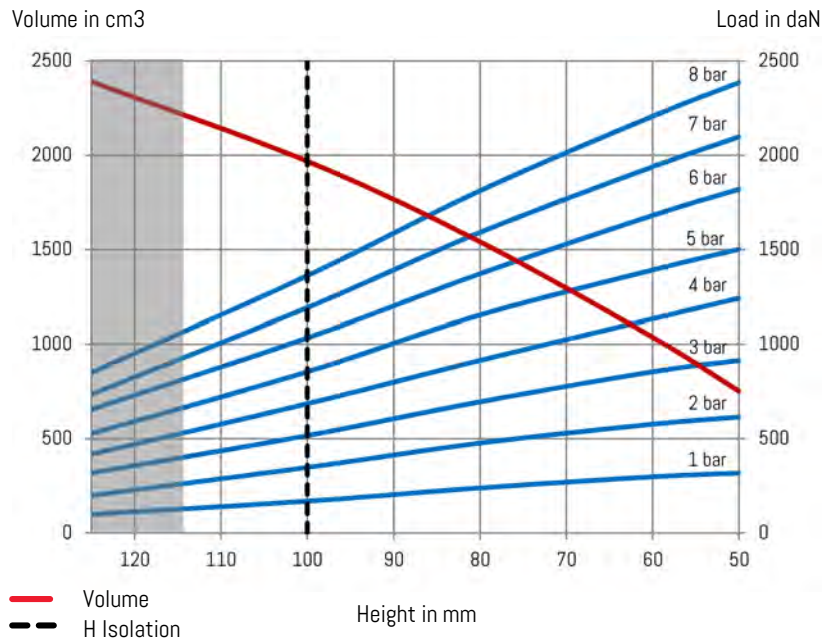
Maximum pressure	8 bar
Burst pressure	24 bar
Maximum angular capacity	10°
Maximum out of alignment	10 mm

Static diameter	203 mm
Maximum diameter	230 mm
Minimum overall diameter (Øe)	245 mm
Minimum height	50 mm
Static height (H)	90 mm
Maximum height	125 mm
Maximum recommended height	115 mm
Total stroke	75 mm
Effective area at static height	208 cm ²
Stiffness at 4 bar	56,00 daN/mm
Natural frequency at 4 bar	3,00 Hz
Weight	3,05 kg

Dynamic characteristics at H = 100mm*

Pressure	2 bar	4 bar	6 bar
Load (daN)	355	725	1105
Volume (dm ³)	1,83	1,90	1,96
Stiffness (daN/mm)	134,0	237,9	342,1
Natural frequency (Hz)	3,05	2,86	2,77
Isolation rate at 10Hz %	89,7%	91,1%	91,7%

* Recommended height for better isolation



Temperatures

Epichlore	-20°C (-30°C static)	+115°C (+120°C static)
-----------	----------------------	------------------------

References

DB0817/E	Bellow 1 convolute 8" x 1 Epichlore steel bolted air inlet G1/2 centered
----------	--------------------------------------------------------------------------

Characteristics in static condition (daN)

Height	2 bar	3 bar	4 bar	5 bar	6 bar	7 bar	8 bar	Vol 5 bar
50	615	915	1 243	1 502	1 820	2 098	2 386	752
60	577	855	1 134	1 392	1 681	1 939	2 207	1037
80	477	696	915	1 154	1 372	1 591	1 812	1541
90	415	610	801	1 008	1 206	1 396	1 591	1764
100	348	517	686	855	1 034	1 193	1 362	1968
115	263	400	526	665	811	925	1 062	2236
125	199	318	418	527	656	736	851	2390

Mounting instructions

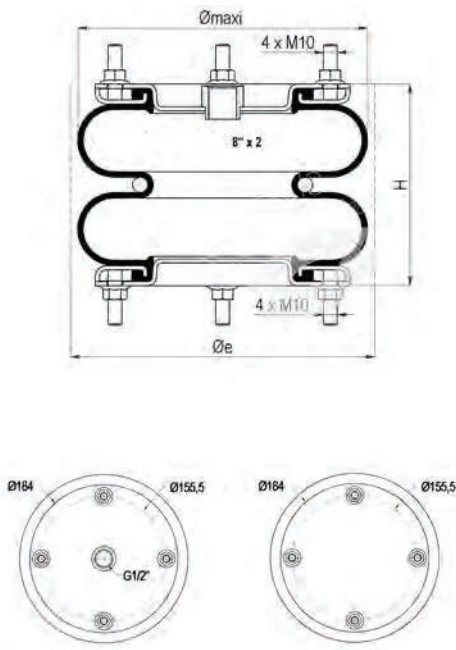
Fastening torque M10 x 1,5 : 20 to 28 Nm

Indicative value of force to reach the minimum height at atmospheric pressure is 12 daN.

Bellow 8" x 2 steel

DB0828/B

INDUSTRY



Technical characteristics

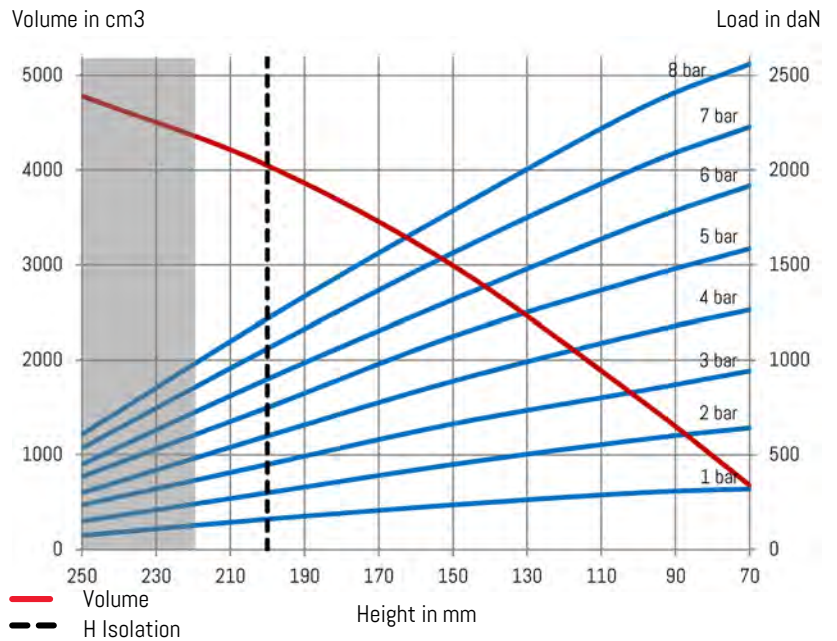
Maximum pressure	8 bar
Burst pressure	24 bar
Maximum angular capacity	10°
Maximum out of alignment	10 mm

Static diameter	203 mm
Maximum diameter	230 mm
Minimum overall diameter (Øe)	245 mm
Minimum height	70 mm
Static height (H)	160 mm
Maximum height	250 mm
Maximum recommended height	220 mm
Total stroke	180 mm
Effective area at static height	220 cm ²
Stiffness at 4 bar	20,00 daN/mm
Natural frequency at 4 bar	2,20 Hz
Weight	3,75kg

Dynamic characteristics at H = 200mm*

Pressure	2 bar	4 bar	6 bar
Load (daN)	265	545	840
Volume (dm ³)	3,42	3,54	3,66
Stiffness (daN/mm)	48,8	88,2	128,1
Natural frequency (Hz)	2,15	2,00	1,95
Isolation rate at 10Hz %	95,2%	95,8%	96,1%

* Recommended height for better isolation



Temperatures

Chlorobutyl	-25°C (-35°C static)	+90°C (+100°C static)
-------------	----------------------	-----------------------

References

DB0828/B	Bellow 2 convolutes 8" x 2 Chlorobutyl steel bolted air inlet G ^{1/2} centered
----------	-----------------------------------------------------------------------------------------

Characteristics in static condition (daN)

Height	2 bar	3 bar	4 bar	5 bar	6 bar	7 bar	8 bar	Vol 5 bar
70	643	943	1 264	1 586	1 918	2 229	2 561	680
100	579	836	1 136	1 425	1 714	2 014	2 321	1598
150	450	664	889	1 125	1 318	1 564	1 786	2995
160	421	619	831	1 048	1 240	1 468	1 683	3221
200	300	450	600	750	900	1 061	1 218	4050
220	245	371	485	618	724	861	984	4375
250	150	236	300	386	450	536	608	4785

Mounting instructions

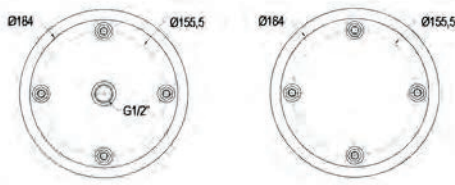
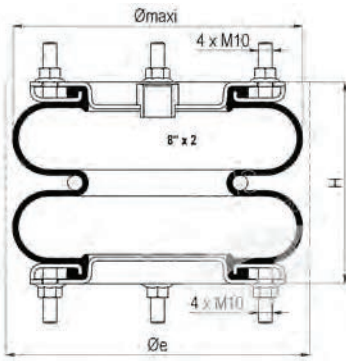
Fastening torque M10 x 1,5 : 20 to 28 Nm

Indicative value of force to reach the minimum height at atmospheric pressure is 13 daN.

Bellow 8" x 2 steel

DB0828/E

INDUSTRY



Technical characteristics

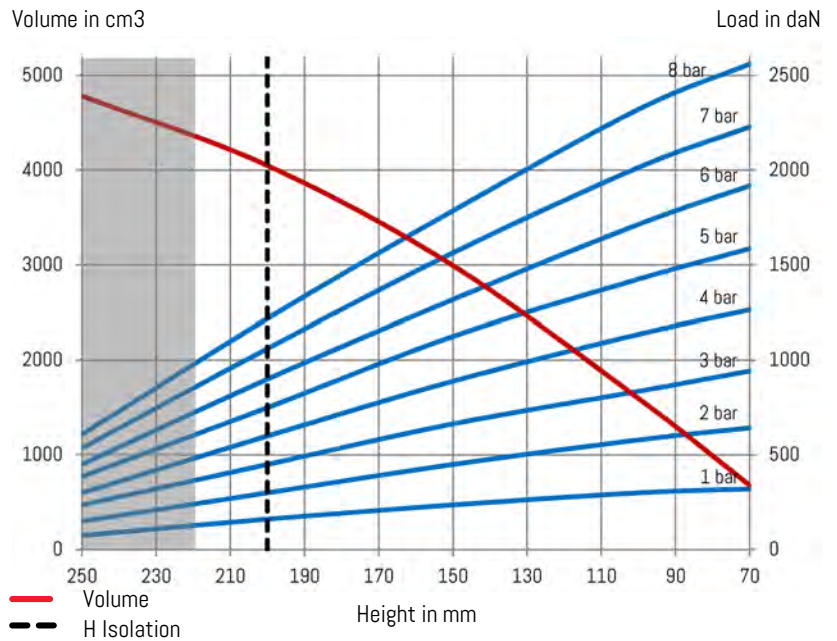
Maximum pressure	8 bar
Burst pressure	24 bar
Maximum angular capacity	10°
Maximum out of alignment	10 mm

Static diameter	203 mm
Maximum diameter	230 mm
Minimum overall diameter (Øe)	245 mm
Minimum height	70 mm
Static height (H)	160 mm
Maximum height	250 mm
Maximum recommended height	220 mm
Total stroke	180 mm
Effective area at static height	220 cm ²
Stiffness at 4 bar	20,00 daN/mm
Natural frequency at 4 bar	2,20 Hz
Weight	3,75kg

Dynamic characteristics at H = 200mm*

Pressure	2 bar	4 bar	6 bar
Load (daN)	265	545	840
Volume (dm ³)	3,42	3,54	3,66
Stiffness (daN/mm)	48,8	88,2	128,1
Natural frequency (Hz)	2,15	2,00	1,95
Isolation rate at 10Hz %	95,2%	95,8%	96,1%

* Recommended height for better isolation



Temperatures

Epichlore	-20°C (-30°C static)	+115°C (+120°C static)
-----------	----------------------	------------------------

References

DB0828/E	Bellow 2 convolutes 8" x 2 Epichlore steel bolted air inlet G ^{1/2} centered
----------	---------------------------------------------------------------------------------------

Characteristics in static condition (daN)

Height	2 bar	3 bar	4 bar	5 bar	6 bar	7 bar	8 bar	Vol 5 bar
70	643	943	1 264	1 586	1 918	2 229	2 561	680
100	579	836	1 136	1 425	1 714	2 014	2 321	1598
150	450	664	889	1 125	1 318	1 564	1 786	2995
160	421	619	831	1 048	1 240	1 468	1 683	3221
200	300	450	600	750	900	1 061	1 218	4050
220	245	371	485	618	724	861	984	4375
250	150	236	300	386	450	536	608	4785

Mounting instructions

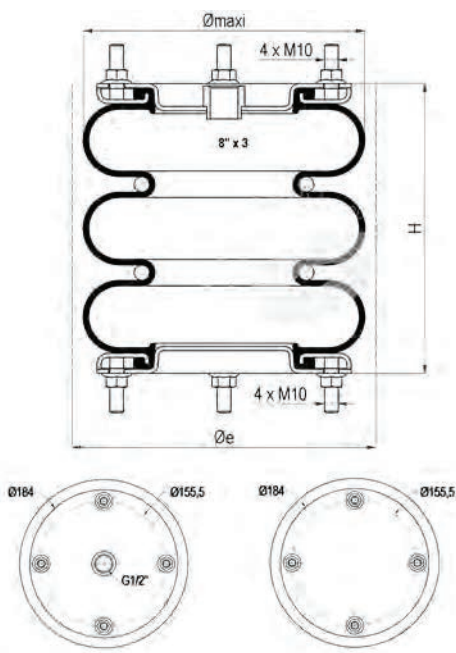
Fastening torque M10 x 1,5 : 20 to 28 Nm

Indicative value of force to reach the minimum height at atmospheric pressure is 13 daN.

Bellow 8" x 3 steel

DB0838/B

INDUSTRY



Technical characteristics

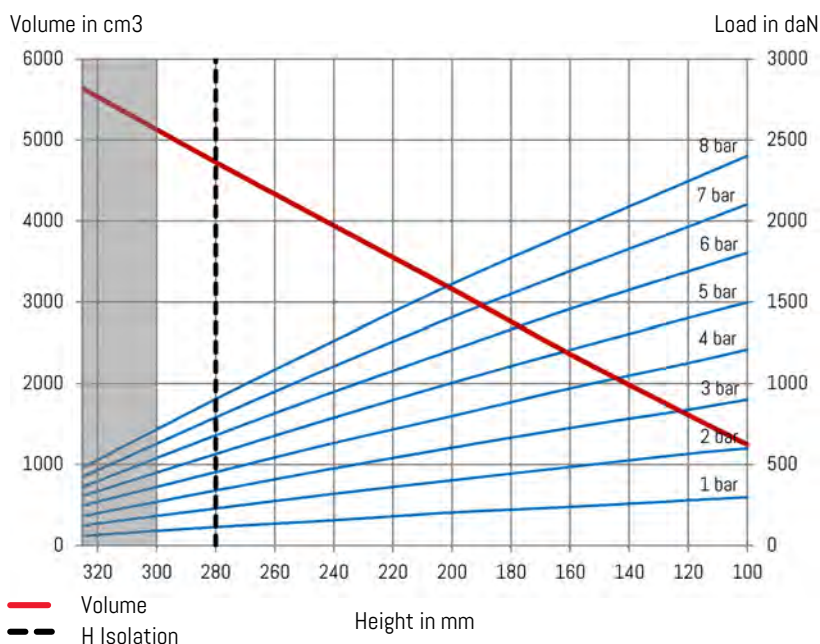
Maximum pressure	8 bar
Burst pressure	24 bar
Maximum angular capacity	10°
Maximum out of alignment	10 mm

Static diameter	204 mm
Maximum diameter	230 mm
Minimum overall diameter (Øe)	245 mm
Minimum height	100 mm
Static height (H)	205 mm
Maximum height	325 mm
Maximum recommended height	300 mm
Total stroke	225 mm
Effective area at static height	194 cm ²
Stiffness at 4 bar	11,75 daN/mm
Natural frequency at 4 bar	1,75 Hz
Weight	4,3 kg

Dynamic characteristics at H = 280mm*

Pressure	2 bar	4 bar	6 bar
Load (daN)	250	535	820
Volume (dm ³)	4,77	5,05	5,32
Stiffness (daN/mm)	33,4	60,2	85,1
Natural frequency (Hz)	1,82	1,67	1,60
Isolation rate at 10Hz %	96,6%	97,1%	97,4%

* Recommended height for better isolation



Temperatures

Chlorobutyl	-25°C (-35°C static)	+90°C (+100°C static)
-------------	----------------------	-----------------------

References

DB0838/B	Bellow 3 convolutes 8" x 3 Chlorobutyl steel bolted air inlet G1/2 centered
----------	-----------------------------------------------------------------------------

Characteristics in static condition (daN)

Height	2 bar	3 bar	4 bar	5 bar	6 bar	7 bar	8 bar	Vol 5 bar
100	600	901	1 209	1 498	1 804	2 104	2 402	1246
120	566	839	1 126	1 402	1 689	1 965	2 246	1612
160	485	726	970	1 207	1 458	1 691	1 932	2362
200	403	604	799	1 004	1 206	1 407	1 611	3161
205	392	587	781	976	1 176	1 366	1 564	3249
240	319	476	633	789	949	1 106	1 262	3943
280	229	340	453	565	680	791	904	4726
300	180	269	364	451	539	626	718	5132
325	124	182	247	306	362	424	481	5635

Mounting instructions

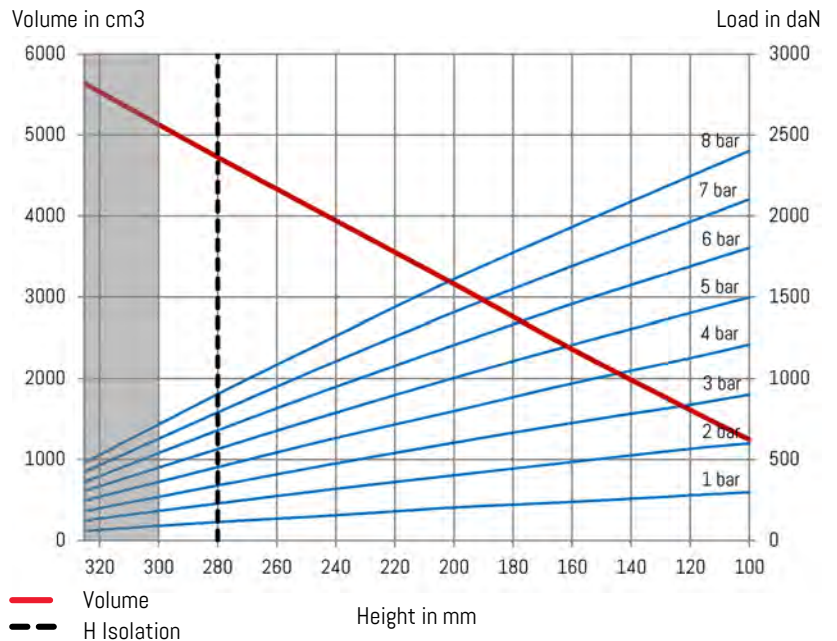
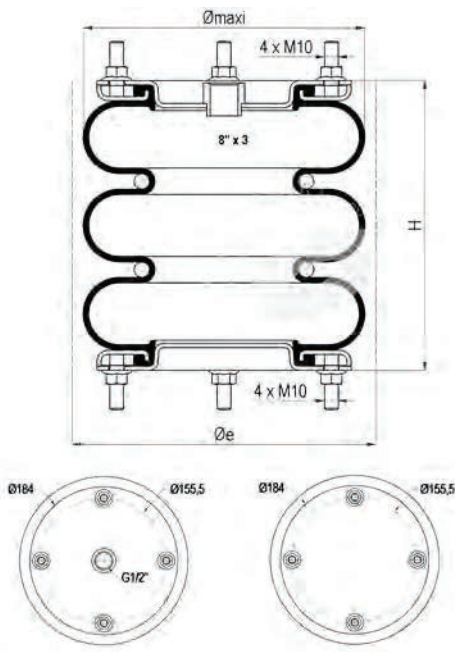
Fastening torque M10 x 1,5 : 20 to 28 Nm

Indicative value of force to reach the minimum height at atmospheric pressure is 15 daN.

Bellow 8" x 3 steel

DB0838/E

INDUSTRY



Technical characteristics

Maximum pressure	8 bar
Burst pressure	24 bar
Maximum angular capacity	10°
Maximum out of alignment	10 mm

Static diameter	204 mm
Maximum diameter	230 mm
Minimum overall diameter (Øe)	245 mm
Minimum height	100 mm
Static height (H)	205 mm
Maximum height	325 mm
Maximum recommended height	300 mm
Total stroke	225 mm
Effective area at static height	194 cm ²
Stiffness at 4 bar	11,75 daN/mm
Natural frequency at 4 bar	1,75 Hz
Weight	4,3 kg

Dynamic characteristics at H = 280mm*

Pressure	2 bar	4 bar	6 bar
Load (daN)	250	535	820
Volume (dm ³)	4,77	5,05	5,32
Stiffness (daN/mm)	33,4	60,2	85,1
Natural frequency (Hz)	1,82	1,67	1,60
Isolation rate at 10Hz %	96,6%	97,1%	97,4%

* Recommended height for better isolation

Temperatures

Epichlore	-20°C (-30°C static)	+115°C (+120°C static)
-----------	----------------------	------------------------

References

DB0838/E	Bellow 3 convolutes 8" x 3 Epichlore steel bolted air inlet G ^{1/2} centered
----------	---------------------------------------------------------------------------------------

Characteristics in static condition (daN)

Height	2 bar	3 bar	4 bar	5 bar	6 bar	7 bar	8 bar	Vol 5 bar
100	600	901	1 209	1 498	1 804	2 104	2 402	1246
120	566	839	1 126	1 402	1 689	1 965	2 246	1612
160	485	726	970	1 207	1 458	1 691	1 932	2362
200	403	604	799	1 004	1 206	1 407	1 611	3161
205	392	587	781	976	1 176	1 366	1 564	3249
240	319	476	633	789	949	1 106	1 262	3943
280	229	340	453	565	680	791	904	4726
300	180	269	364	451	539	626	718	5132
325	124	182	247	306	362	424	481	5635

Mounting instructions

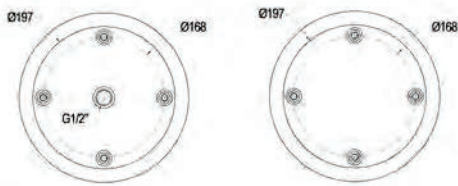
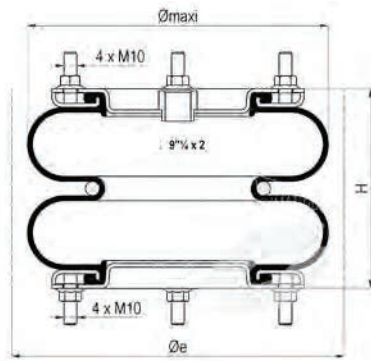
Fastening torque M10 x 1,5 : 20 to 28 Nm

Indicative value of force to reach the minimum height at atmospheric pressure is 15 daN.

Bellow 9" 1/4 x 2 steel

DB0928/B

INDUSTRY



Technical characteristics

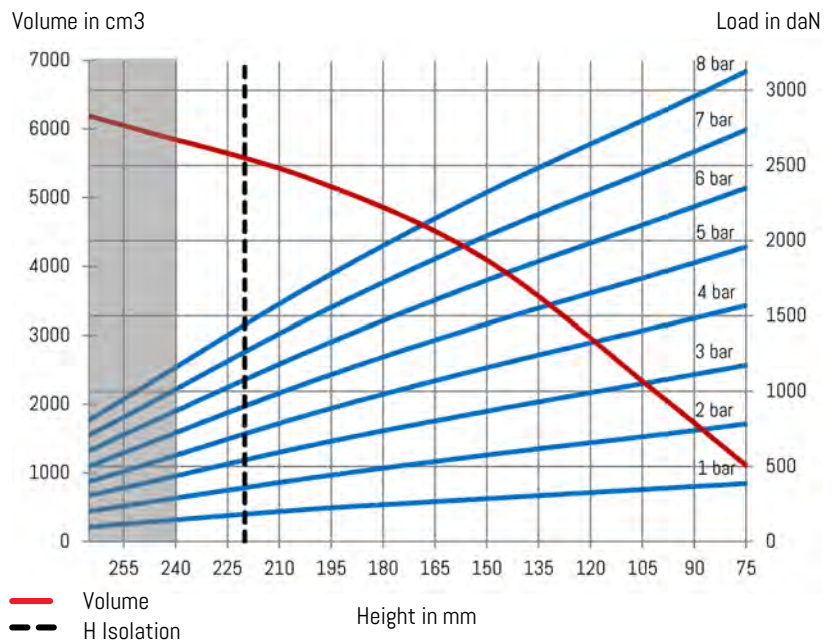
Maximum pressure	8 bar
Burst pressure	24 bar
Maximum angular capacity	15°
Maximum out of alignment	10 mm

Static diameter	235 mm
Maximum diameter	255 mm
Minimum overall diameter (Øe)	270 mm
Minimum height	75 mm
Static height (H)	160 mm
Maximum height	265 mm
Maximum recommended height	240 mm
Total stroke	190 mm
Effective area at static height	275 cm ²
Stiffness at 4 bar	24 daN/mm
Natural frequency at 4 bar	1,9 Hz
Weight	4,5 kg

Dynamic characteristics at H = 220mm*

Pressure	2 bar	4 bar	6 bar
Load (daN)	395	830	1260
Volume (dm ³)	5,86	6,03	6,20
Stiffness (daN/mm)	56,8	104,4	150,4
Natural frequency (Hz)	1,89	1,77	1,72
Isolation rate at 10Hz %	96,3%	96,8%	96,9%

* Recommended height for better isolation



Temperatures

Chlorobutyl	-25°C (-35°C static)	+90°C (+100°C static)
-------------	----------------------	-----------------------

References

DB0928/B	Bellow 2 convolutes 9" 1/4 x 2 Chlorobutyl steel bolted air inlet G1/2 centered
----------	---------------------------------------------------------------------------------

Characteristics in static condition (daN)

Height	2 bar	3 bar	4 bar	5 bar	6 bar	7 bar	8 bar	Vol 5 bar
75	784	1 174	1 568	1 958	2 350	2 738	3 126	1110
100	712	1 072	1 430	1 784	2 144	2 496	2 851	2133
150	577	868	1 158	1 448	1 737	2 031	2 321	4093
160	549	826	1 100	1 375	1 650	1 926	2 201	2201
200	427	645	855	1 072	1 280	1 500	1 713	5254
220	361	543	718	897	1 079	1 258	1 440	5651
240	294	441	580	724	874	1 017	1 164	5925
250	255	384	503	636	765	890	1 019	5979
265	203	308	400	500	604	708	807	6189

Mounting instructions

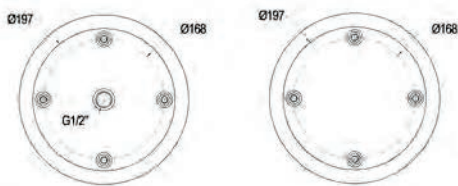
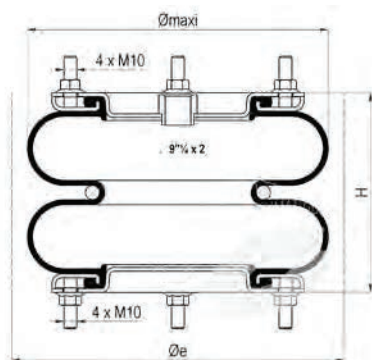
Fastening torque M10 x 1,5 : 20 to 28 Nm

Indicative value of force to reach the minimum height at atmospheric pressure is 15 daN.

Bellow 9" 1/4 x 2 steel

DB0928/E

INDUSTRY



Technical characteristics

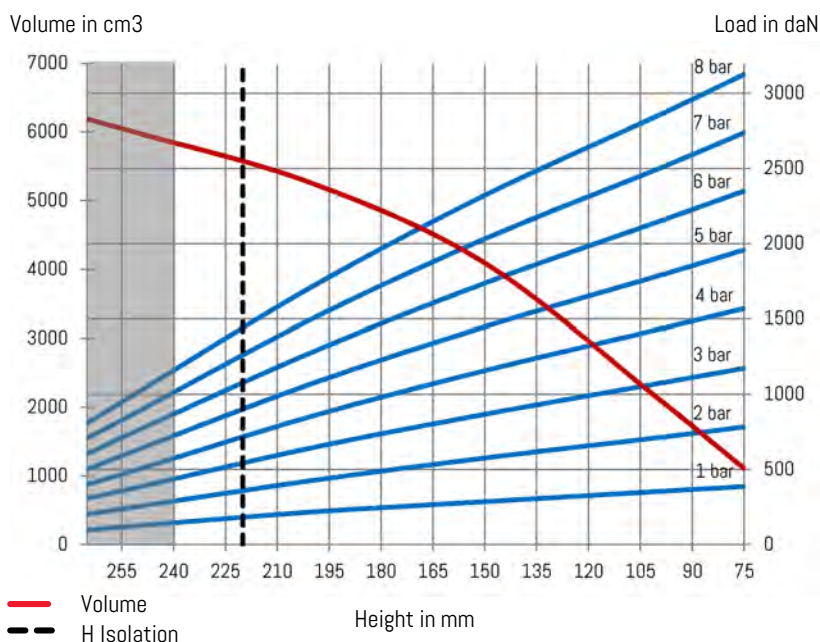
Maximum pressure	8 bar
Burst pressure	24 bar
Maximum angular capacity	15°
Maximum out of alignment	10 mm

Static diameter	235 mm
Maximum diameter	255 mm
Minimum overall diameter (Øe)	270 mm
Minimum height	75 mm
Static height (H)	160 mm
Maximum height	265 mm
Maximum recommended height	240 mm
Total stroke	190 mm
Effective area at static height	275 cm ²
Stiffness at 4 bar	24 daN/mm
Natural frequency at 4 bar	1,9 Hz
Weight	4,5 kg

Dynamic characteristics at H = 220mm*

Pressure	2 bar	4 bar	6 bar
Load (daN)	395	830	1260
Volume (dm ³)	5,86	6,03	6,20
Stiffness (daN/mm)	56,8	104,4	150,4
Natural frequency (Hz)	1,89	1,77	1,72
Isolation rate at 10Hz %	96,3%	96,8%	96,9%

* Recommended height for better isolation



Temperatures

Epichlore	-20°C (-30°C static)	+115°C (+120°C static)
-----------	----------------------	------------------------

References

DB0928/E	Bellow 2 convolutes 9" 1/4 x 2 Epichlore steel bolted air inlet G1/2 centered
----------	-------------------------------------------------------------------------------

Characteristics in static condition (daN)

Height	2 bar	3 bar	4 bar	5 bar	6 bar	7 bar	8 bar	Vol 5 bar
75	784	1 174	1 568	1 958	2 350	2 738	3 126	1110
100	712	1 072	1 430	1 784	2 144	2 496	2 851	2133
150	577	868	1 158	1 448	1 737	2 031	2 321	4093
160	549	826	1 100	1 375	1 650	1 926	2 201	2201
200	427	645	855	1 072	1 280	1 500	1 713	5254
220	361	543	718	897	1 079	1 258	1 440	5651
240	294	441	580	724	874	1 017	1 164	5925
250	255	384	503	636	765	890	1 019	5979
265	203	308	400	500	604	708	807	6189

Mounting instructions

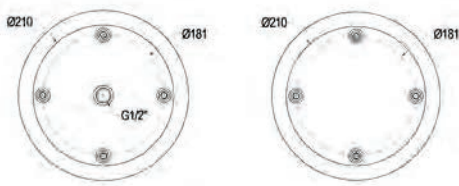
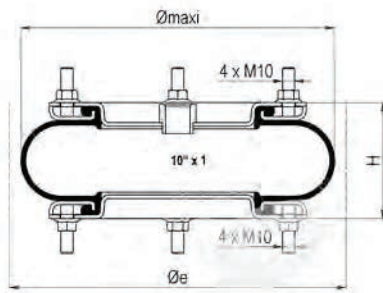
Fastening torque M10 x 1,5 : 20 to 28 Nm

Indicative value of force to reach the minimum height at atmospheric pressure is 15 daN.

Bellow 10" x 1 steel

DB1017/B

INDUSTRY



Technical characteristics

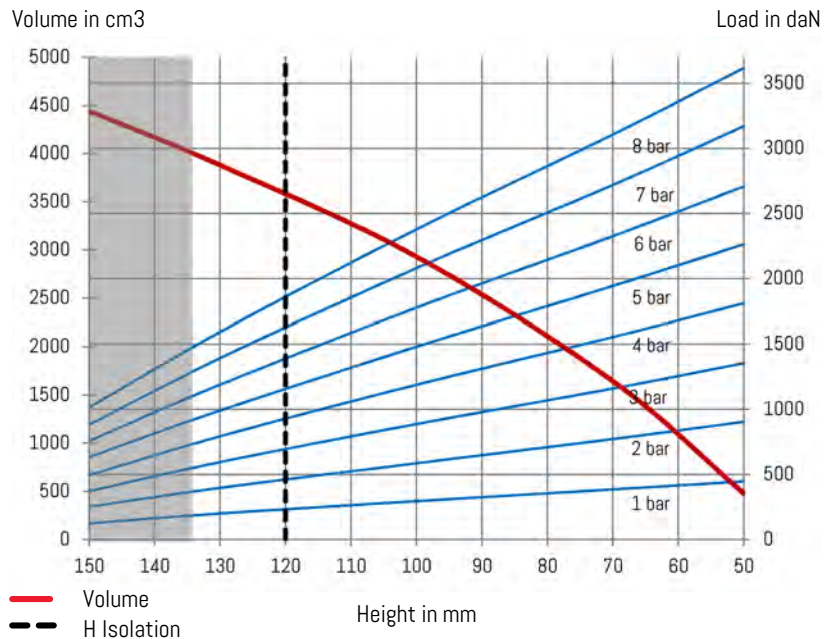
Maximum pressure	8 bar
Burst pressure	24 bar
Maximum angular capacity	15°
Maximum out of alignment	10 mm

Static diameter	254 mm
Maximum diameter	280 mm
Minimum overall diameter	300 mm
Minimum height	50 mm
Static height	100 mm
Maximum height	150 mm
Maximum recommended height	135 mm
Total stroke	100 mm
Effective area at static height	295 cm ²
Stiffness at 4 bar	60,00 daN/mm
Natural frequency at 4 bar	2,60 Hz
Weight of the bellows	3,9 kg

Dynamic characteristics at H = 120mm*

Pressure	2 bar	4 bar	6 bar
Load (daN)	505	1045	1580
Volume (dm ³)	3,37	3,53	3,69
Stiffness (daN/mm)	150	271	385
Natural frequency (Hz)	2,71	2,54	2,46
Isolation rate at 10Hz %	92,1%	93,1%	93,5%

* Recommended height for better isolation



Temperatures

Chlorobutyl	-25°C (-35°C static)	+90°C (+100°C static)
-------------	----------------------	-----------------------

References

DB1017/B	Bellow 1 convolute 10" x 1 Chlorobutyl steel bolted air inlet G ^{1/2} centered
----------	-----------------------------------------------------------------------------------------

Characteristics in static condition (daN)

Height	2 bar	3 bar	4 bar	5 bar	6 bar	7 bar	8 bar	Vol 5 bar
50	904	1 354	1 811	2 263	2 707	3 170	3 618	479
70	772	1 160	1 554	1 944	2 326	2 719	3 106	1645
100	586	887	1 189	1 480	1 778	2 080	2 378	2930
120	456	689	921	1 150	1 382	1 616	1 848	3636
130	397	595	793	991	1 189	1 393	1 593	3880
135	356	536	714	897	1 077	1 259	1 442	4065
150	252	372	495	634	758	883	1 015	4442

Mounting instructions

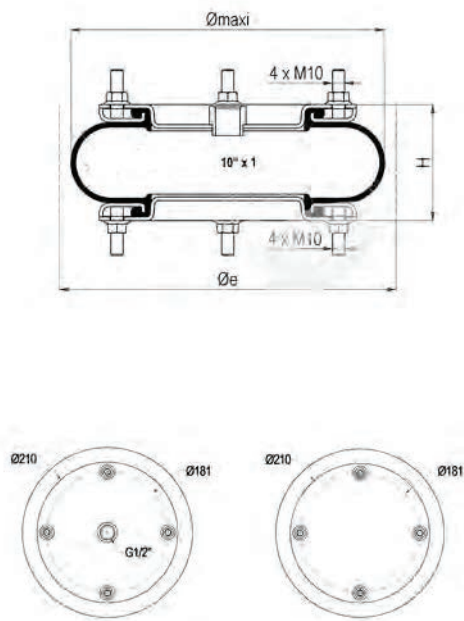
Fastening torque M10 x 1,5 : 20 to 28 Nm

Indicative value of force to reach the minimum height at atmospheric pressure is 10 daN.

Bellow 10" x 1 steel

DB1017/E

INDUSTRY



Technical characteristics

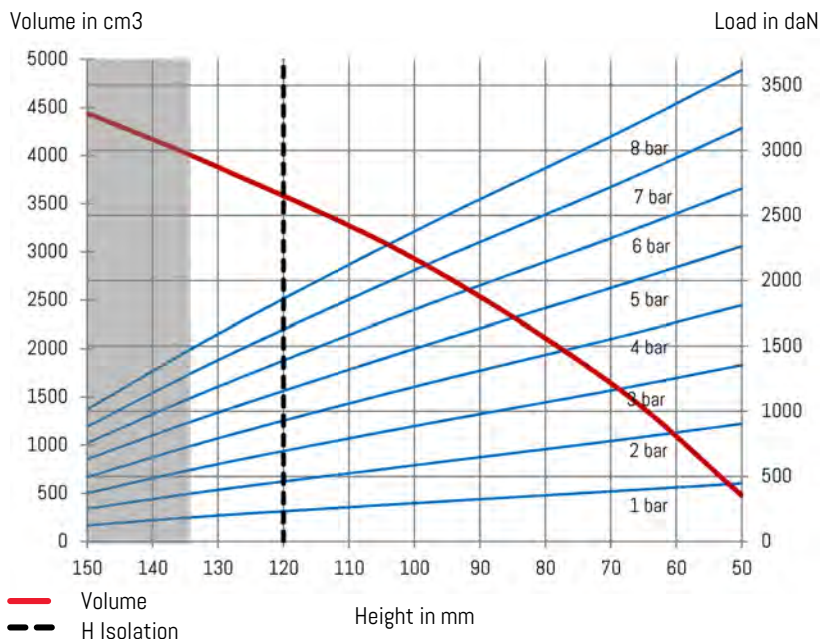
Maximum pressure	8 bar
Burst pressure	24 bar
Maximum angular capacity	15°
Maximum out of alignment	10 mm

Static diameter	254 mm
Maximum diameter	280 mm
Minimum overall diameter (Øe)	300 mm
Minimum height	50 mm
Static height (H)	100 mm
Maximum height	150 mm
Maximum recommended height	135 mm
Total stroke	100 mm
Effective area at static height	295 cm ²
Stiffness at 4 bar	60,00 daN/mm
Natural frequency at 4 bar	2,60 Hz
Weight	3,9 kg

Dynamic characteristics at H = 120mm*

Pressure	2 bar	4 bar	6 bar
Load (daN)	505	1045	1580
Volume (dm ³)	3,37	3,53	3,69
Stiffness (daN/mm)	150	271	385
Natural frequency (Hz)	2,71	2,54	2,46
Isolation rate at 10Hz %	92,1%	93,1%	93,5%

* Recommended height for better isolation



Temperatures

Epichlore	-20°C (-30°C static)	+115°C (+120°C static)
-----------	----------------------	------------------------

References

DB1017/E	Bellow 1 convolute 10" x 1 Epichlore steel bolted air inlet G1/2 centered
----------	---------------------------------------------------------------------------

Characteristics in static condition (daN)

Height	2 bar	3 bar	4 bar	5 bar	6 bar	7 bar	8 bar	Vol 5 bar
50	904	1 354	1 811	2 263	2 707	3 170	3 618	479
70	772	1 160	1 554	1 944	2 326	2 719	3 106	1645
100	586	887	1 189	1 480	1 778	2 080	2 378	2930
120	456	689	921	1 150	1 382	1 616	1 848	3636
130	397	595	793	991	1 189	1 393	1 593	3880
135	356	536	714	897	1 077	1 259	1 442	4065
150	252	372	495	634	758	883	1 015	4442

Mounting instructions

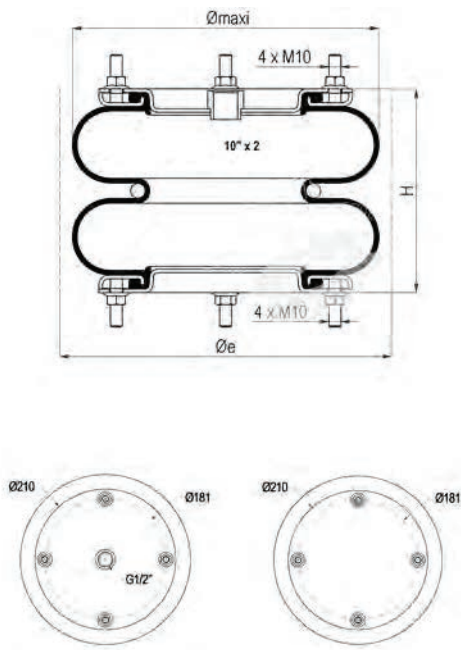
Fastening torque M10 x 1,5 : 20 to 28 Nm

Indicative value of force to reach the minimum height at atmospheric pressure is 10 daN.

Bellow 10" x 2 steel

DB1028/B

INDUSTRY



Technical characteristics

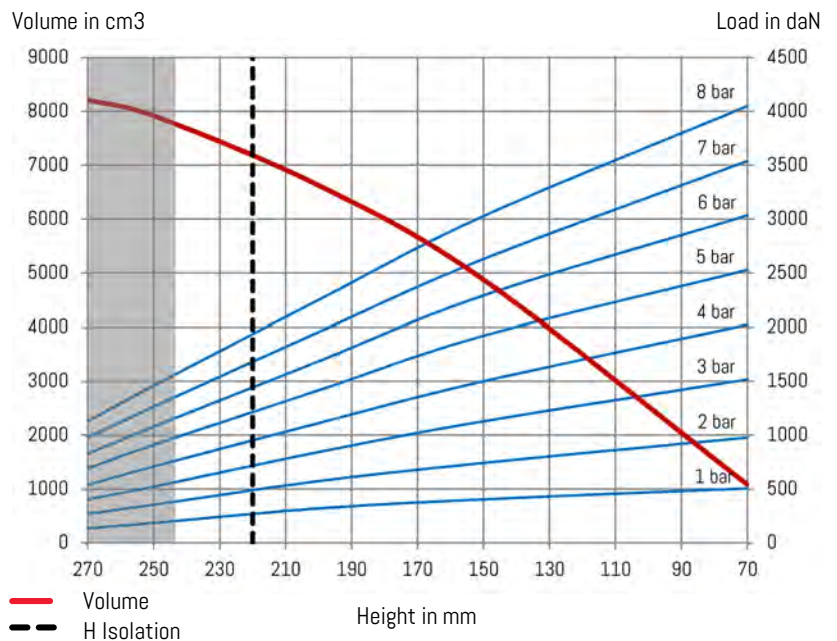
Maximum pressure	8 bar
Burst pressure	24 bar
Maximum angular capacity	15°
Maximum out of alignment	10 mm

Static diameter	254 mm
Maximum diameter	280 mm
Minimum overall diameter	300 mm
Minimum height	70 mm
Static height	170 mm
Maximum height	270 mm
Maximum recommended height	245 mm
Total stroke	200 mm
Effective area at static height	340 cm ²
Stiffness at 4 bar	28,00 daN/mm
Natural frequency at 4 bar	1,95 Hz
Weight of the bellows	5,0 kg

Dynamic characteristics at H = 220mm*

Pressure	2 bar	4 bar	6 bar
Load (daN)	470	960	1455
Volume (dm ³)	6,22	6,44	6,67
Stiffness (daN/mm)	70,2	125,4	178,8
Natural frequency (Hz)	1,93	1,80	1,75
Isolation rate at 10Hz %	96,1%	96,6%	96,8%

* Recommended height for better isolation



Temperatures

Chlorobutyl	-25°C (-35°C static)	+90°C (+100°C static)
-------------	----------------------	-----------------------

References

DB1028/B Bellow 2 convolutes 10" x 2 Chlorobutyl steel bolted air inlet G^{1/2} centered

Characteristics in static condition (daN)

Height	2 bar	3 bar	4 bar	5 bar	6 bar	7 bar	8 bar	Vol 5 bar
70	978	1 517	2 022	2 528	3 034	3 539	4 050	1083
150	742	1 129	1 500	1 921	2 292	2 629	3 028	4875
170	678	1 017	1 346	1 721	2 051	2 362	2 721	5642
200	573	843	1 112	1 416	1 685	1 955	2 251	6625
220	487	723	957	1 231	1 464	1 692	1 954	7184
245	381	565	749	964	1 148	1 338	1 545	7771
250	354	522	708	910	1 079	1 264	1 459	7917
270	270	404	539	691	826	978	1 128	8208

Mounting instructions

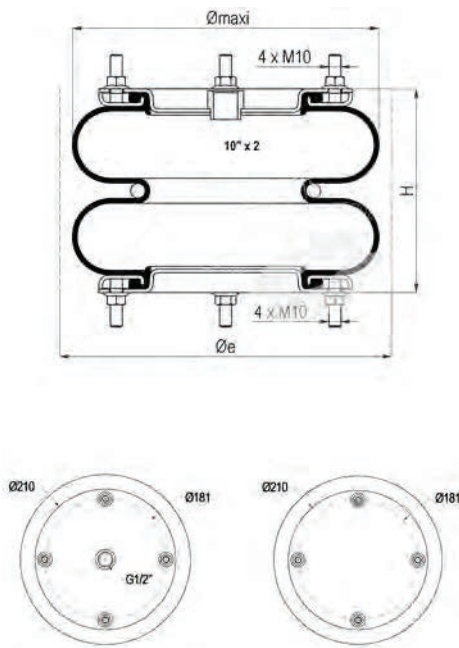
Fastening torque M10 x 1,5 : 20 to 28 Nm

Indicative value of force to reach the minimum height at atmospheric pressure is 10 daN.

Bellow 10" x 2 steel

DB1028/E

INDUSTRY



Technical characteristics

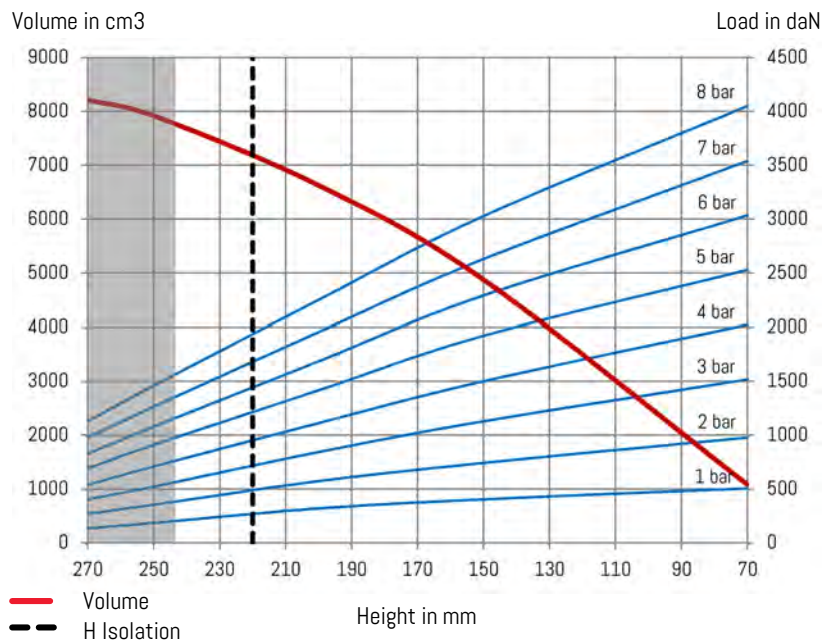
Maximum pressure	8 bar
Burst pressure	24 bar
Maximum angular capacity	15°
Maximum out of alignment	10 mm

Static diameter	254 mm
Maximum diameter	280 mm
Minimum overall diameter (Øe)	300 mm
Minimum height	70 mm
Static height (H)	170 mm
Maximum height	270 mm
Maximum recommended height	245 mm
Total stroke	200 mm
Effective area at static height	340 cm ²
Stiffness at 4 bar	28,00 daN/mm
Natural frequency at 4 bar	1,95 Hz
Weight	5,0 kg

Dynamic characteristics at H = 220mm*

Pressure	2 bar	4 bar	6 bar
Load (daN)	470	960	1455
Volume (dm ³)	6,22	6,44	6,67
Stiffness (daN/mm)	70,2	125,4	178,8
Natural frequency (Hz)	1,93	1,80	1,75
Isolation rate at 10Hz %	96,1%	96,6%	96,8%

* Recommended height for better isolation



Temperatures

Epichlore	-20°C (-30°C static)	+115°C (+120°C static)
-----------	----------------------	------------------------

References

DB1028/E	Bellow 2 convolutes 10" x 2 Epichlore steel bolted air inlet G ^{1/2} centered
----------	----------------------------------------------------------------------------------------

Characteristics in static condition (daN)

Height	2 bar	3 bar	4 bar	5 bar	6 bar	7 bar	8 bar	Vol 5 bar
70	978	1 517	2 022	2 528	3 034	3 539	4 050	1083
150	742	1 129	1 500	1 921	2 292	2 629	3 028	4875
170	678	1 017	1 346	1 721	2 051	2 362	2 721	5642
200	573	843	1 112	1 416	1 685	1 955	2 251	6625
220	487	723	957	1 231	1 464	1 692	1 954	7184
245	381	565	749	964	1 148	1 338	1 545	7771
250	354	522	708	910	1 079	1 264	1 459	7917
270	270	404	539	691	826	978	1 128	8208

Mounting instructions

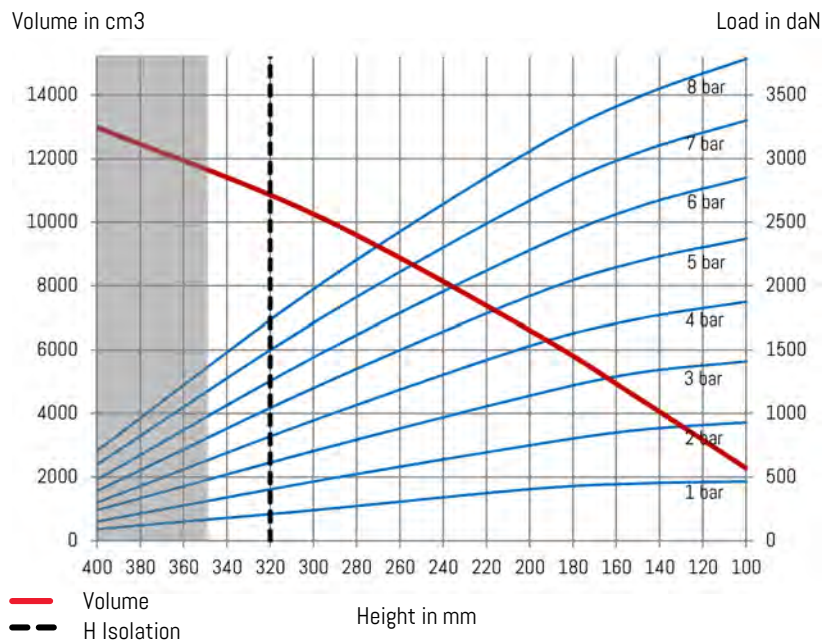
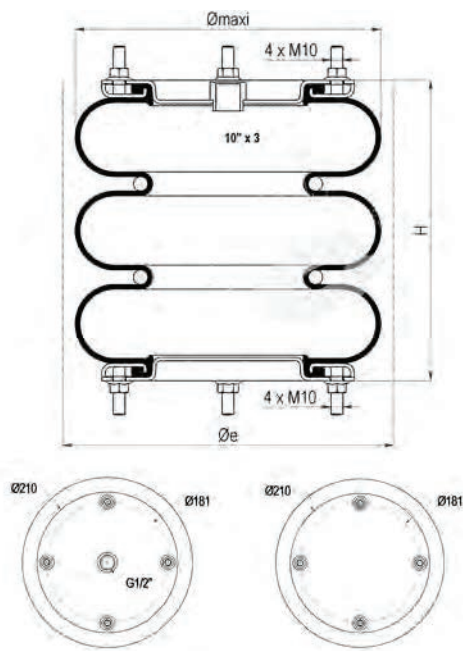
Fastening torque M10 x 1,5 : 20 to 28 Nm

Indicative value of force to reach the minimum height at atmospheric pressure is 10 daN.

Bellow 10" x 3 steel

DB10317/B

INDUSTRY



Technical characteristics

Maximum pressure	8 bar
Burst pressure	24 bar
Maximum angular capacity	15°
Maximum out of alignment	10 mm

Static diameter	254 mm
Maximum diameter	280 mm
Minimum overall diameter (Øe)	300 mm
Minimum height	100 mm
Static height (H)	250 mm
Maximum height	400 mm
Maximum recommended height	350 mm
Total stroke	300 mm
Effective area at static height	300 cm ²
Stiffness at 4 bar	20 daN/mm
Natural frequency at 4 bar	1,75 Hz
Weight	5,6 Kg

Dynamic characteristics at H = 320mm*

Pressure	2 bar	4 bar	6 bar
Load (daN)	435	875	1 340
Volume (dm ³)	9,32	9,65	9,98
Stiffness (daN/mm)	44	76	110
Natural frequency (Hz)	1,58	1,47	1,43
Isolation rate at 10Hz %	97,40%	97,80%	97,90%

* Recommended height for better isolation

Temperatures

Chlorobutyl	-25°C (-35°C static)	+90°C (+100°C static)
-------------	----------------------	-----------------------

References

DB10317/B	Bellow 3 convolutes 10" x 3 2 ply Chlorobutyl steel bolted air inlet G ^{1/2} centered
-----------	------------------------------------------------------------------------------------------------

Characteristics in static condition (daN)

Height	2 bar	3 bar	4 bar	5 bar	6 bar	7 bar	8 bar	Vol 5 bar
100	930	1 410	1 875	2 370	2 850	3 300	3 784	2279
150	870	1 320	1 740	2 190	2 620	3 045	3 482	4494
200	750	1 140	1 530	1 920	2 280	2 670	3 058	6609
250	621	946	1 264	1 592	1 894	2 227	2 557	8516
300	465	705	945	1 200	1 440	1 710	1 974	10256
320	417	643	853	1 079	1 286	1 528	1 763	10828
350	319	499	654	832	995	1 192	1 382	11699
400	150	240	300	390	480	600	707	12981

Mounting instructions

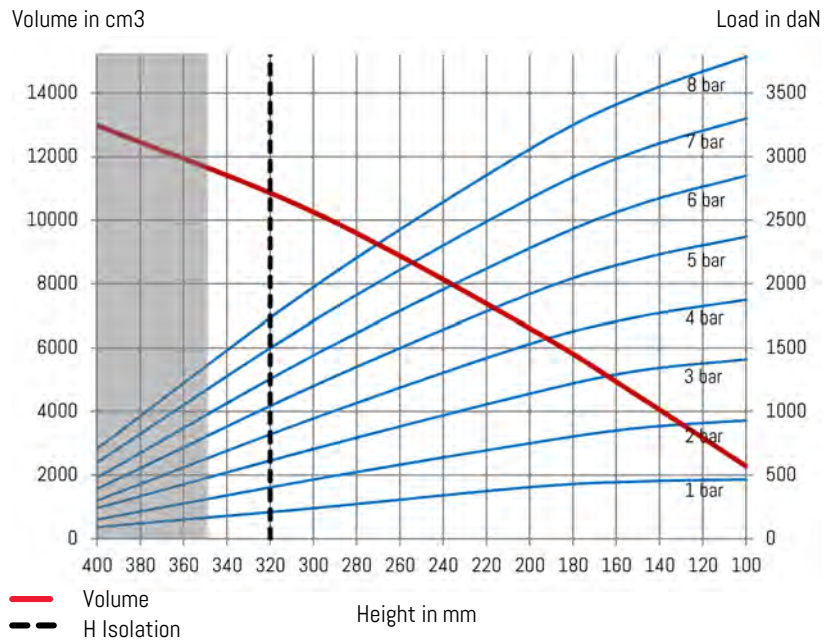
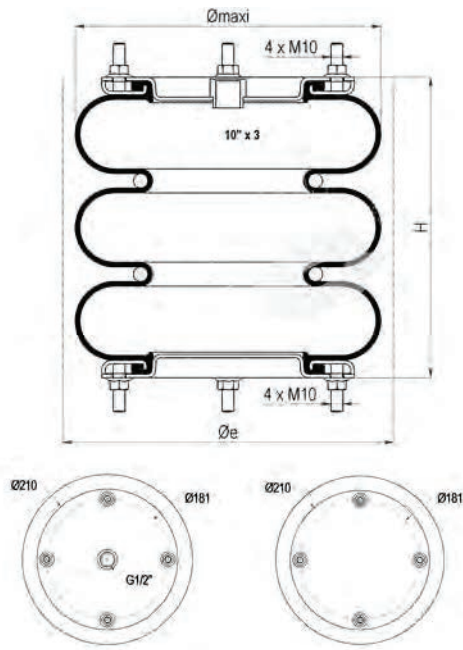
Fastening torque M10 x 1,5 : 20 to 28 Nm

Indicative value of force to reach the minimum height at atmospheric pressure is 11 daN.

Bellow 10" x 3 steel

DB10317/E

INDUSTRY



Technical characteristics

Maximum pressure	8 bar
Burst pressure	24 bar
Maximum angular capacity	15°
Maximum out of alignment	10 mm

Static diameter	254 mm
Maximum diameter	280 mm
Minimum overall diameter (Øe)	300 mm
Minimum height	100 mm
Static height (H)	250 mm
Maximum height	400 mm
Maximum recommended height	350 mm
Total stroke	300 mm
Effective area at static height	300 cm ²
Stiffness at 4 bar	20 daN/mm
Natural frequency at 4 bar	1,75 Hz
Weight	5,6 Kg

Dynamic characteristics at H = 320mm*

Pressure	2 bar	4 bar	6 bar
Load (daN)	435	875	1 340
Volume (dm ³)	9,32	9,65	9,98
Stiffness (daN/mm)	44	76	110
Natural frequency (Hz)	1,58	1,47	1,43
Isolation rate at 10Hz %	97,40%	97,80%	97,90%

* Recommended height for better isolation

Temperatures

Epichlore	-20°C (-30°C static)	+115°C (+120°C static)
-----------	----------------------	------------------------

References

DB10317/E	Bellow 3 convolutes 10" x 3 2 ply Epichlore steel bolted air inlet G ^{1/2} centered
-----------	----------------------------------------------------------------------------------------------

Characteristics in static condition (daN)

Height	2 bar	3 bar	4 bar	5 bar	6 bar	7 bar	8 bar	Vol 5 bar
100	930	1 410	1 875	2 370	2 850	3 300	3 784	2279
150	870	1 320	1 740	2 190	2 620	3 045	3 482	4494
200	750	1 140	1 530	1 920	2 280	2 670	3 058	6609
250	621	946	1 264	1 592	1 894	2 227	2 557	8516
300	465	705	945	1 200	1 440	1 710	1 974	10256
320	417	643	853	1 079	1 286	1 528	1 763	10828
350	319	499	654	832	995	1 192	1 382	11699
400	150	240	300	390	480	600	707	12981

Mounting instructions

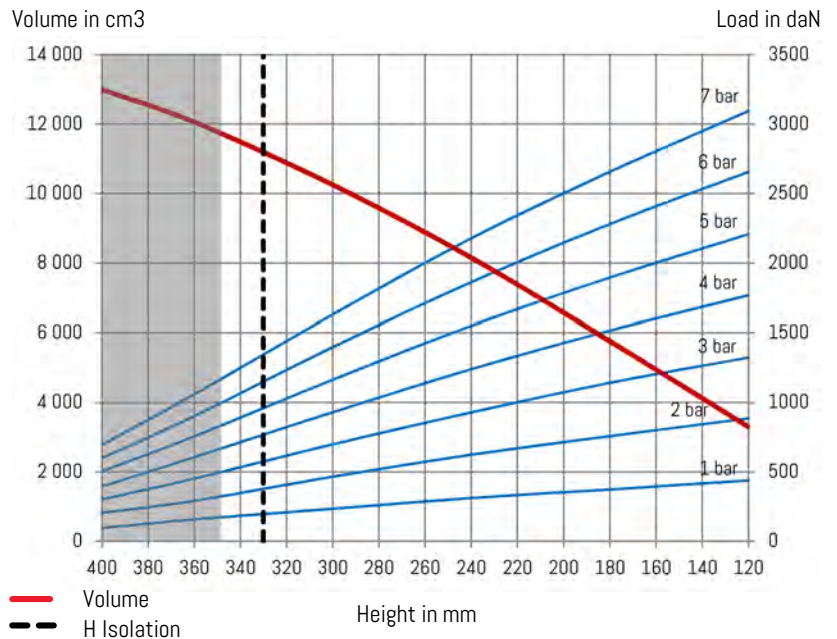
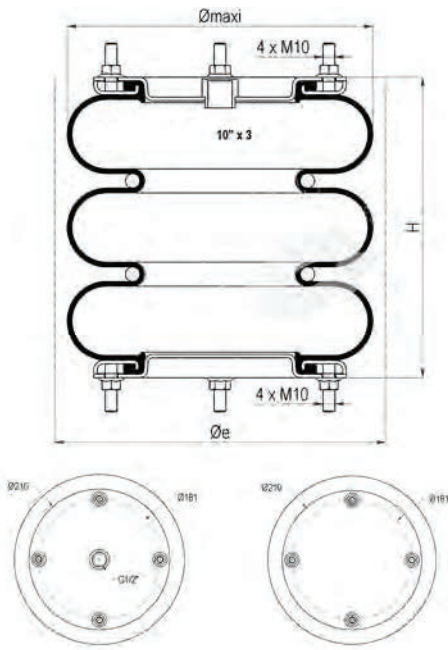
Fastening torque M10 x 1,5 : 20 to 28 Nm

Indicative value of force to reach the minimum height at atmospheric pressure is 11 daN.

Bellow 10" x 3 reinforced steel

DB1038/B

INDUSTRY



Technical characteristics

Maximum pressure	8 bar
Burst pressure	24 bar
Maximum angular capacity	15°
Maximum out of alignment	10 mm

Static diameter	254 mm
Maximum diameter	280 mm
Minimum overall diameter (Øe)	300 mm
Minimum height	120 mm
Static height (H)	250 mm
Maximum height	400 mm
Maximum recommended height	350 mm
Total stroke	280 mm
Effective area at static height	300 cm ²
Stiffness at 4 bar	20,00 daN/mm
Natural frequency at 4 bar	1,75 Hz
Weight	5,8 kg

Dynamic characteristics at H = 330mm*

Pressure	2 bar	4 bar	6 bar
Load (daN)	385	810	1235
Volume (dm ³)	9,1	9,2	9,2
Stiffness (daN/mm)	41	74	107
Natural frequency (Hz)	1,63	1,51	1,46
Isolation rate at 10Hz %	97,3%	97,7%	97,8%

* Recommended height for better isolation

Temperatures

Chlorobutyl	-25°C (-35°C static)	+90°C (+100°C static)
-------------	----------------------	-----------------------

References

DB1038/B	Bellow 3 convolutes 10" x 3 4 ply reinforced Chlorobutyl steel bolted air inlet G ^{1/2} centered
----------	-----------------------------------------------------------------------------------------------------------

Characteristics in static condition (daN)

Height	2 bar	3 bar	4 bar	5 bar	6 bar	7 bar	8 bar	Vol 5 bar
120	885	1 323	1 768	2 207	2 656	3 094		3 295
180	757	1 141	1 516	1 895	2 280	2 656		5 760
240	623	928	1 239	1 550	1 862	2 177		8 150
250	592	890	1 183	1 478	1 782	2 077		8 523
300	465	698	929	1 163	1 397	1 630		10 251
330	388	585	772	968	1 170	1 358		11 147
350	335	505	664	834	1 008	1 168		11 730
360	291	451	605	755	901	1 058		12 060
400	204	301	394	503	597	693		12 998

Mounting instructions

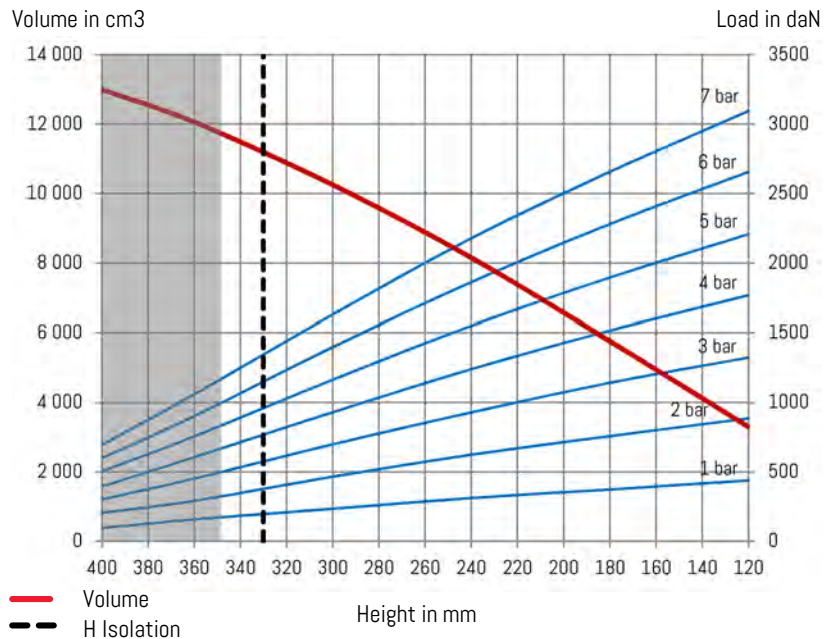
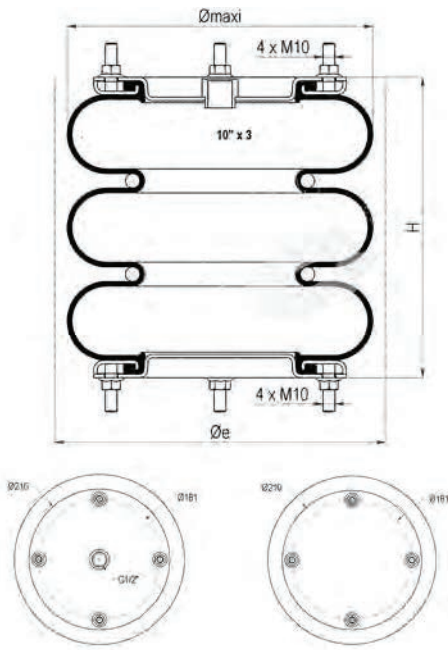
Fastening torque M10 x 1,5 : 20 to 28 Nm

Indicative value of force to reach the minimum height at atmospheric pressure is 76 daN.

Bellow 10" x 3 reinforced steel

DB1038/E

INDUSTRY



Technical characteristics

Maximum pressure	8 bar
Burst pressure	24 bar
Maximum angular capacity	15°
Maximum out of alignment	10 mm

Static diameter	254 mm
Maximum diameter	280 mm
Minimum overall diameter (Øe)	300 mm
Minimum height	120 mm
Static height (H)	250 mm
Maximum height	400 mm
Maximum recommended height	350 mm
Total stroke	280 mm
Effective area at static height	300 cm ²
Stiffness at 4 bar	20,00 daN/mm
Natural frequency at 4 bar	1,75 Hz
Weight	5,8 kg

Dynamic characteristics at H = 330mm*

Pressure	2 bar	4 bar	6 bar
Load (daN)	385	810	1235
Volume (dm ³)	9,1	9,2	9,2
Stiffness (daN/mm)	41	74	107
Natural frequency (Hz)	1,63	1,51	1,46
Isolation rate at 10Hz %	97,3%	97,7%	97,8%

* Recommended height for better isolation

Temperatures

Epichlore	-20°C (-30°C static)	+115°C (+120°C static)
-----------	----------------------	------------------------

References

DB1038/E	Bellow 3 convolutes 10" x 3 4 ply reinforced Epichlore steel bolted air inlet G ^{1/2} centered
----------	---------------------------------------------------------------------------------------------------------

Characteristics in static condition (daN)

Height	2 bar	3 bar	4 bar	5 bar	6 bar	7 bar	8 bar	Vol 5 bar
120	885	1 323	1 768	2 207	2 656	3 094		3 295
180	757	1 141	1 516	1 895	2 280	2 656		5 760
240	623	928	1 239	1 550	1 862	2 177		8 150
250	592	890	1 183	1 478	1 782	2 077		8 523
300	465	698	929	1 163	1 397	1 630		10 251
330	388	585	772	968	1 170	1 358		11 147
350	335	505	664	834	1 008	1 168		11 730
360	291	451	605	755	901	1 058		12 060
400	204	301	394	503	597	693		12 998

Mounting instructions

Fastening torque M10 x 1,5 : 20 to 28 Nm

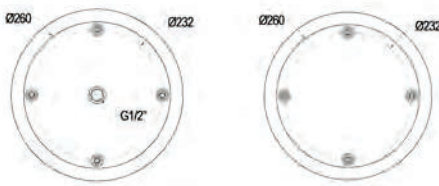
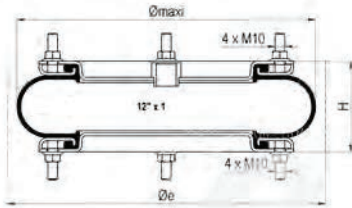
Indicative value of force to reach the minimum height at atmospheric pressure is 76 daN.



Bellow 12" x 1 steel

DB1217/B

INDUSTRY



Technical characteristics

Maximum pressure	8 bar
Burst pressure	24 bar
Maximum angular capacity	15°
Maximum out of alignment	10 mm

Static diameter	305 mm
Maximum diameter	330 mm
Minimum overall diameter (Øe)	350 mm
Minimum height	50 mm
Static height (H)	100 mm
Maximum height	150 mm
Maximum recommended height	135 mm
Total stroke	100 mm
Effective area at static height	477 cm ²
Stiffness at 4 bar	87,00 daN/mm
Natural frequency at 4 bar	2,70 Hz
Weight	5,2 kg

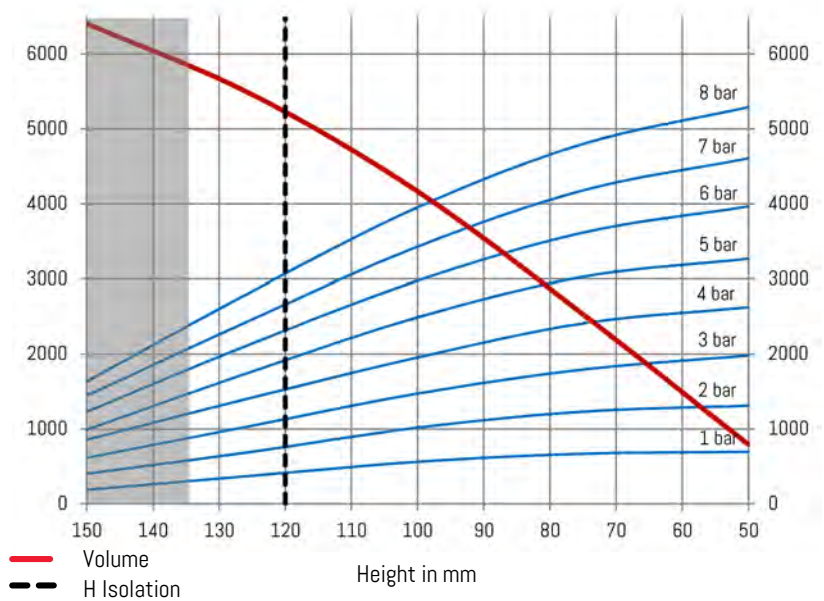
Dynamic characteristics at H = 120mm*

Pressure	2 bar	4 bar	6 bar
Load (daN)	795	1625	2455
Volume (dm ³)	4,95	5,12	5,28
Stiffness (daN/mm)	230	413	588
Natural frequency (Hz)	2,69	2,51	2,44
Isolation rate at 10Hz %	92,2%	93,3%	93,7%

* Recommended height for better isolation

Volume in cm³

Load in daN



Temperatures

Chlorobutyl	-25°C (-35°C static)	+90°C (+100°C static)
-------------	----------------------	-----------------------

References

DB1217/B	Bellow 1 convolute 12" x 1 Chlorobutyl steel bolted air inlet G ^{1/2} centered
----------	-----------------------------------------------------------------------------------------

Characteristics in static condition (daN)

Height	2 bar	3 bar	4 bar	5 bar	6 bar	7 bar	8 bar	Vol 5 bar
50	1 312	1 982	2 625	3 268	3 964	4 607	5 291	792
75	1 232	1 795	2 411	3 027	3 616	4 179	4 799	2532
100	1 018	1 473	1 955	2 491	2 976	3 429	3 954	4165
120	795	1 161	1 567	1 966	2 360	2 718	3 127	5190
125	696	1 045	1 420	1 768	2 143	2 464	2 838	5459
135	603	897	1 222	1 499	1 820	2 104	2 411	5858
150	402	616	857	991	1 232	1 446	1 637	6407

Mounting instructions

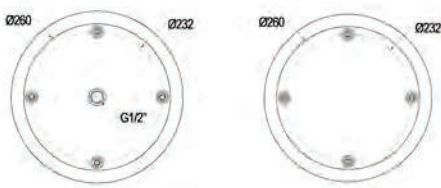
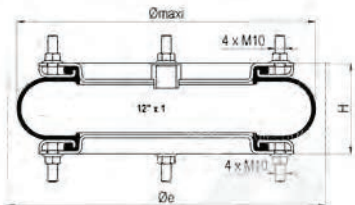
Fastening torque M10 x 1,5 : 20 to 28 Nm

Indicative value of force to reach the minimum height at atmospheric pressure is 9 daN.

Bellow 12" x 1 steel

DB1217/E

INDUSTRY



Technical characteristics

Maximum pressure	8 bar
Burst pressure	24 bar
Maximum angular capacity	15°
Maximum out of alignment	10 mm

Static diameter	305 mm
Maximum diameter	330 mm
Minimum overall diameter (Øe)	350 mm
Minimum height	50 mm
Static height (H)	100 mm
Maximum height	150 mm
Maximum recommended height	135 mm
Total stroke	100 mm
Effective area at static height	477 cm ²
Stiffness at 4 bar	87,00 daN/mm
Natural frequency at 4 bar	2,70 Hz
Weight	5,2 kg

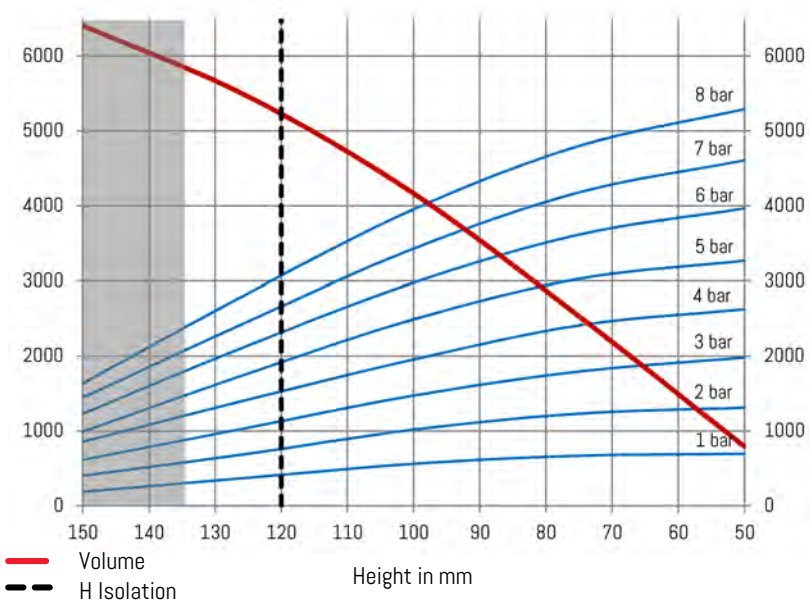
Dynamic characteristics at H = 120mm*

Pressure	2 bar	4 bar	6 bar
Load (daN)	795	1625	2455
Volume (dm ³)	4,95	5,12	5,28
Stiffness (daN/mm)	230	413	588
Natural frequency (Hz)	2,69	2,51	2,44
Isolation rate at 10Hz %	92,2%	93,3%	93,7%

* Recommended height for better isolation

Volume in cm³

Load in daN



Temperatures

Epichlore	-20°C (-30°C static)	+115°C (+120°C static)
-----------	----------------------	------------------------

References

DB1217/E	Bellow 1 convolute 12" x 1 Epichlore steel bolted air inlet G ^{1/2} centered
----------	---------------------------------------------------------------------------------------

Characteristics in static condition (daN)

Height	2 bar	3 bar	4 bar	5 bar	6 bar	7 bar	8 bar	Vol 5 bar
50	1 312	1 982	2 625	3 268	3 964	4 607	5 291	792
75	1 232	1 795	2 411	3 027	3 616	4 179	4 799	2532
100	1 018	1 473	1 955	2 491	2 976	3 429	3 954	4165
120	795	1 161	1 567	1 966	2 360	2 718	3 127	5190
125	696	1 045	1 420	1 768	2 143	2 464	2 838	5459
135	603	897	1 222	1 499	1 820	2 104	2 411	5858
150	402	616	857	991	1 232	1 446	1 637	6407

Mounting instructions

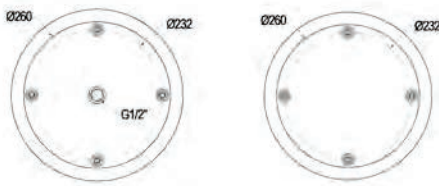
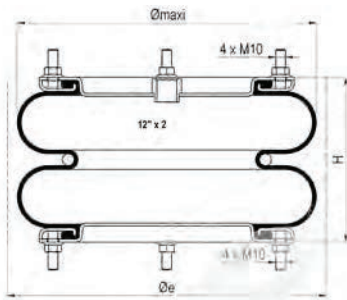
Fastening torque M10 x 1,5 : 20 to 28 Nm

Indicative value of force to reach the minimum height at atmospheric pressure is 9 daN.

Bellow 12" x 2 steel

DB1228/B

INDUSTRY



Technical characteristics

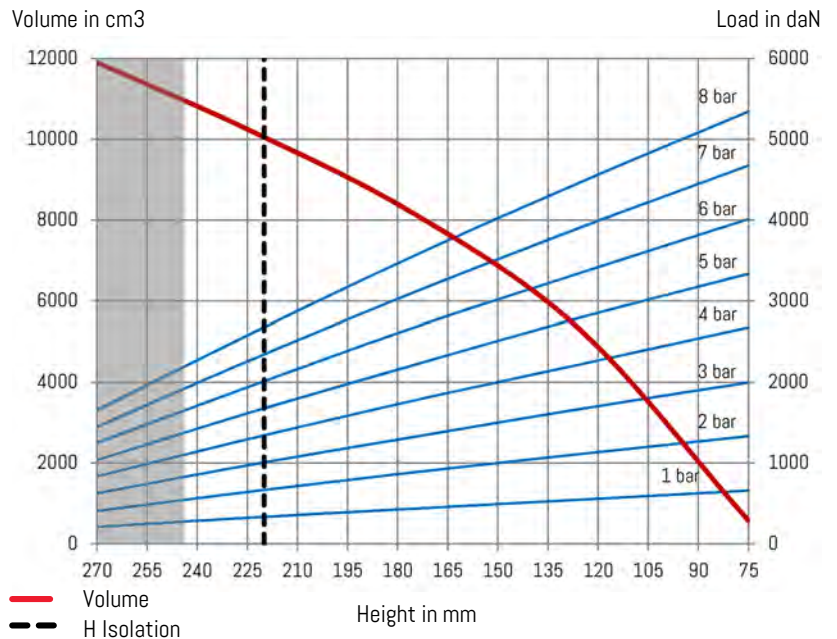
Maximum pressure	8 bar
Burst pressure	24 bar
Maximum angular capacity	15°
Maximum out of alignment	10 mm

Static diameter	305 mm
Maximum diameter	330 mm
Minimum overall diameter (Øe)	350 mm
Minimum height	75 mm
Static height (H)	170 mm
Maximum height	270 mm
Maximum recommended height	245 mm
Total stroke	195 mm
Effective area at static height	460 cm ²
Stiffness at 4 bar	39,00 daN/mm
Natural frequency at 4 bar	1,86 Hz
Weight	6,7 kg

Dynamic characteristics at H = 220mm*

Pressure	2 bar	4 bar	6 bar
Load (daN)	700	1465	2225
Volume (dm ³)	9,19	9,52	9,85
Stiffness (daN/mm)	109	200	285
Natural frequency (Hz)	1,97	1,84	1,78
Isolation rate at 10Hz %	96,0%	96,5%	96,7%

* Recommended height for better isolation



Temperatures

Chlorobutyl	-25°C (-35°C static)	+90°C (+100°C static)
-------------	----------------------	-----------------------

References

DB1228/B Bellow 2 convolutes 12" x 2 Chlorobutyl steel bolted G^{1/2} centered

Characteristics in static condition (daN)

Height	2 bar	3 bar	4 bar	5 bar	6 bar	7 bar	8 bar	Vol 5 bar
75	1 334	1 997	2 677	3 336	4 013	4 676	5 344	576
125	1 113	1 673	2 225	2 799	3 351	3 914	4 474	5266
170	909	1 364	1 819	2 279	2 740	3 192	3 650	7930
175	886	1 326	1 776	2 216	2 679	3 109	3 560	8154
220	667	1 005	1 339	1 674	2 013	2 344	2 679	10325
225	642	968	1 290	1 612	1 938	2 258	2 578	10512
245	541	819	1 091	1 359	1 635	1 902	2 172	11161
270	408	627	836	1 038	1 250	1 448	1 654	11902

Mounting instructions

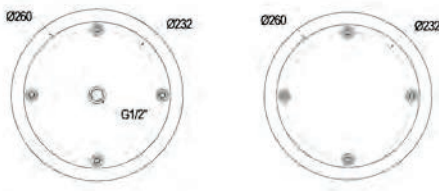
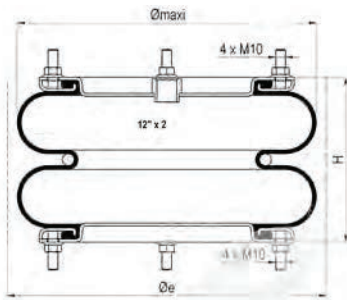
Fastening torque M10 x 1,5 : 20 to 28 Nm

Indicative value of force to reach the minimum height at atmospheric pressure is 9 daN.

Bellow 12" x 2 steel

DB1228/E

INDUSTRY



Technical characteristics

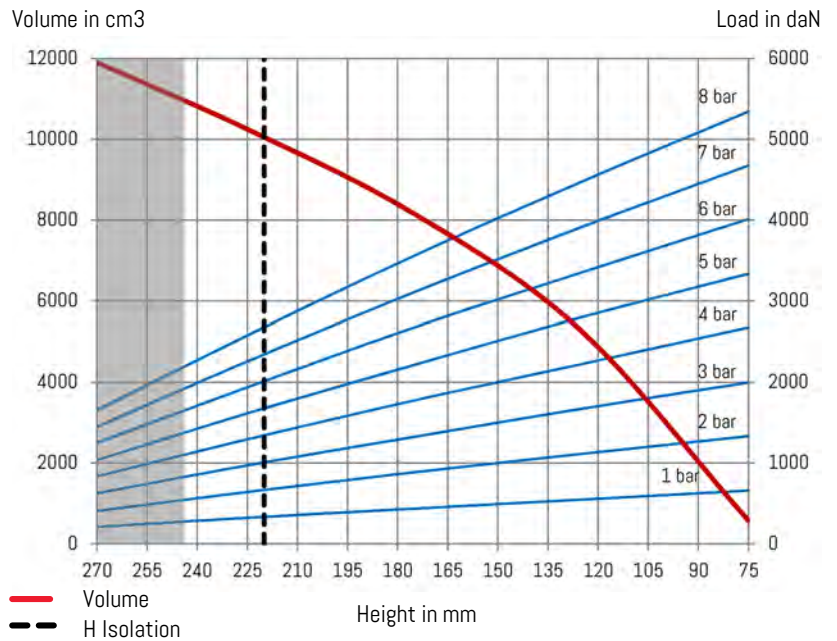
Maximum pressure	8 bar
Burst pressure	24 bar
Maximum angular capacity	15°
Maximum out of alignment	10 mm

Static diameter	305 mm
Maximum diameter	330 mm
Minimum overall diameter (Øe)	350 mm
Minimum height	75 mm
Static height (H)	170 mm
Maximum height	270 mm
Maximum recommended height	245 mm
Total stroke	195 mm
Effective area at static height	460 cm ²
Stiffness at 4 bar	39,00 daN/mm
Natural frequency at 4 bar	1,86 Hz
Weight	6,7 kg

Dynamic characteristics at H = 220mm*

Pressure	2 bar	4 bar	6 bar
Load (daN)	700	1465	2225
Volume (dm ³)	9,19	9,52	9,85
Stiffness (daN/mm)	109	200	285
Natural frequency (Hz)	1,97	1,84	1,78
Isolation rate at 10Hz %	96,0%	96,5%	96,7%

* Recommended height for better isolation



Temperatures

Epichlore	-20°C (-30°C static)	+115°C (+120°C static)
-----------	----------------------	------------------------

References

DB1228/E	Bellow 2 convolutes 12" x 2 Epichlore steel bolted air inlet G ^{1/2} centered
----------	----------------------------------------------------------------------------------------

Characteristics in static condition (daN)

Height	2 bar	3 bar	4 bar	5 bar	6 bar	7 bar	8 bar	Vol 5 bar
75	1 334	1 997	2 677	3 336	4 013	4 676	5 344	576
125	1 113	1 673	2 225	2 799	3 351	3 914	4 474	5266
170	909	1 364	1 819	2 279	2 740	3 192	3 650	7930
175	886	1 326	1 776	2 216	2 679	3 109	3 560	8154
220	667	1 005	1 339	1 674	2 013	2 344	2 679	10325
225	642	968	1 290	1 612	1 938	2 258	2 578	10512
245	541	819	1 091	1 359	1 635	1 902	2 172	11161
270	408	627	836	1 038	1 250	1 448	1 654	11902

Mounting instructions

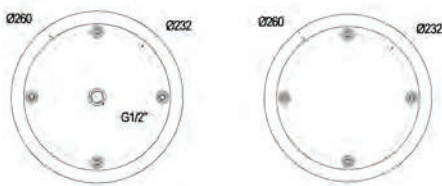
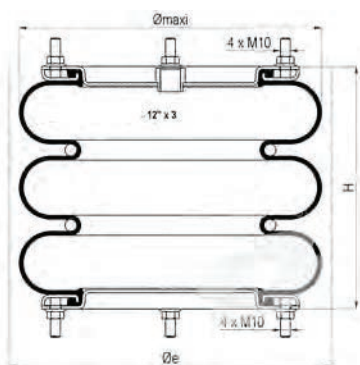
Fastening torque M10 x 1,5 : 20 to 28 Nm

Indicative value of force to reach the minimum height at atmospheric pressure is 9 daN.

Bellow 12" x 3 steel

DB12314/B

INDUSTRY



Technical characteristics

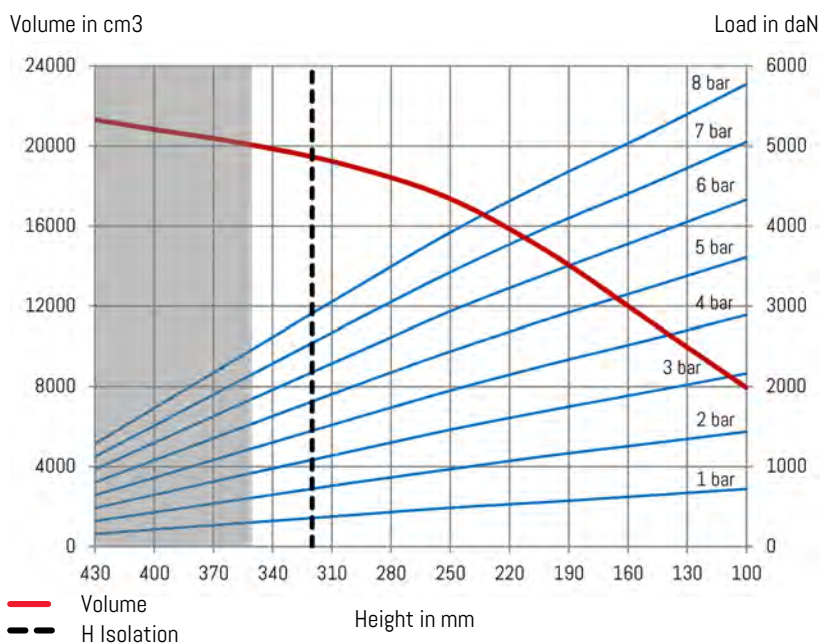
Maximum pressure	8 bar
Burst pressure	24 bar
Maximum angular capacity	15°
Maximum out of alignment	10 mm

Static diameter	305 mm
Maximum diameter	330 mm
Minimum overall diameter	350 mm
Minimum height	100 mm
Static height	250 mm
Maximum height	430 mm
Maximum recommended height	350 mm
Total stroke	330 mm
Effective area at static height	490 cm ²
Stiffness at 4 bar	30 daN/mm
Natural frequency at 4 bar	1,66 Hz
Weight of the bellows	8,1 kg

Dynamic characteristics at H = 320mm*

Pressure	2 bar	4 bar	6 bar
Load (daN)	750	1510	2275
Volume (dm ³)	14,32	14,83	15,34
Stiffness (daN/mm)	76	133	189
Natural frequency (Hz)	1,58	1,48	1,44
Isolation rate at 10Hz %	97,4%	97,8%	97,9%

* Recommended height for better isolation



Temperatures

Chlorobutyl	-25°C (-35°C static)	+90°C (+100°C static)
-------------	----------------------	-----------------------

References

DB12314/B Bellow 3 convolutes 12" x 3 2 ply Chlorobutyl steel bolted air inlet G^{1/2} centered

Characteristics in static condition (daN)

Height	2 bar	3 bar	4 bar	5 bar	6 bar	7 bar	8 bar	Vol 5 bar
100	1 438	2 165	2 891	3 610	4 332	5 052	5 773	7948
150	1 286	1 932	2 578	3 225	3 868	4 509	5 152	11318
200	1 138	1 704	2 277	2 844	3 413	3 993	4 561	14685
250	969	1 462	1 951	2 439	2 936	3 425	3 921	17360
300	797	1 193	1 595	1 998	2 397	2 800	3 202	18982
320	722	1 088	1 455	1 822	2 185	2 560	2 928	19565
350	613	924	1 231	1 539	1 851	2 159	2 469	20046
400	430	648	862	1 081	1 298	1 513	1 731	20832
430	321	483	645	805	967	1 126	1 286	21310

Mounting instructions

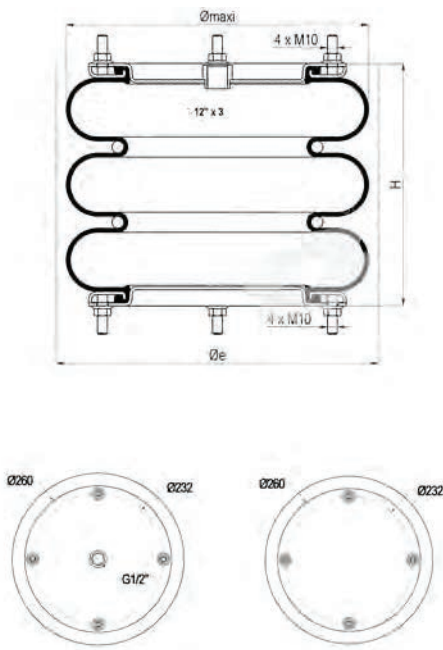
Fastening torque M10 x 1,5 : 20 to 28 Nm

Indicative value of force to reach the minimum height at atmospheric pressure is 10 daN.

Bellow 12" x 3 steel

DB12314/E

INDUSTRY



Technical characteristics

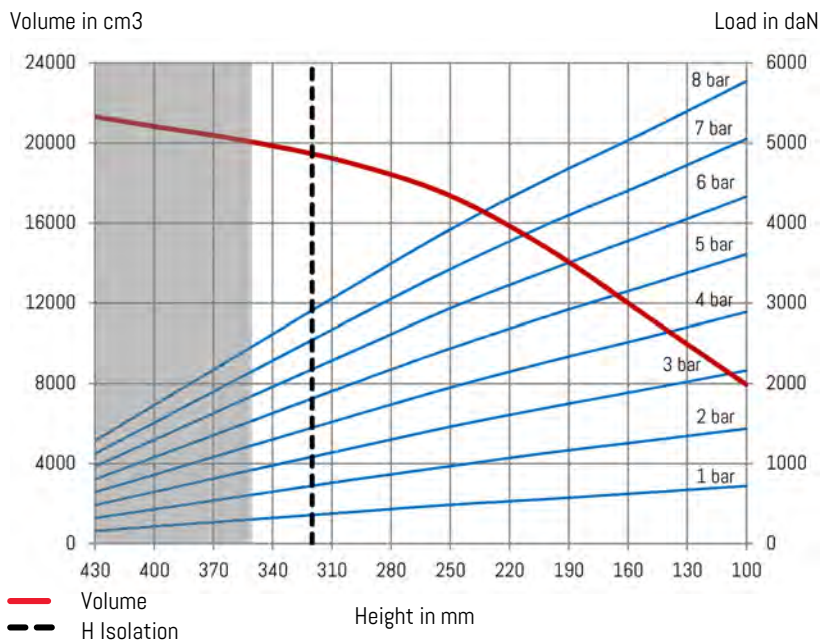
Maximum pressure	8 bar
Burst pressure	24 bar
Maximum angular capacity	15°
Maximum out of alignment	10 mm

Static diameter	305 mm
Maximum diameter	330 mm
Minimum overall diameter (Øe)	350 mm
Minimum height	100 mm
Static height (H)	250 mm
Maximum height	430 mm
Maximum recommended height	350 mm
Total stroke	330 mm
Effective area at static height	490 cm ²
Stiffness at 4 bar	30 daN/mm
Natural frequency at 4 bar	1,66 Hz
Weight	8,1 kg

Dynamic characteristics at H = 320mm*

Pressure	2 bar	4 bar	6 bar
Load (daN)	750	1510	2275
Volume (dm ³)	14,32	14,83	15,34
Stiffness (daN/mm)	76	133	189
Natural frequency (Hz)	1,58	1,48	1,44
Isolation rate at 10Hz %	97,4%	97,8%	97,9%

* Recommended height for better isolation



Temperatures

Epichlore	-20°C (-30°C static)	+115°C (+120°C static)
-----------	----------------------	------------------------

References

DB12314/E Bellow 3 convolutes 12" x 3 2 ply Epichlore steel bolted air inlet G^{1/2}centered

Characteristics in static condition (daN)

Height	2 bar	3 bar	4 bar	5 bar	6 bar	7 bar	8 bar	Vol 5 bar
100	1 438	2 165	2 891	3 610	4 332	5 052	5 773	7948
150	1 286	1 932	2 578	3 225	3 868	4 509	5 152	11318
200	1 138	1 704	2 277	2 844	3 413	3 993	4 561	14685
250	969	1 462	1 951	2 439	2 936	3 425	3 921	17360
300	797	1 193	1 595	1 998	2 397	2 800	3 202	18982
320	722	1 088	1 455	1 822	2 185	2 560	2 928	19565
350	613	924	1 231	1 539	1 851	2 159	2 469	20046
400	430	648	862	1 081	1 298	1 513	1 731	20832
430	321	483	645	805	967	1 126	1 286	21310

Mounting instructions

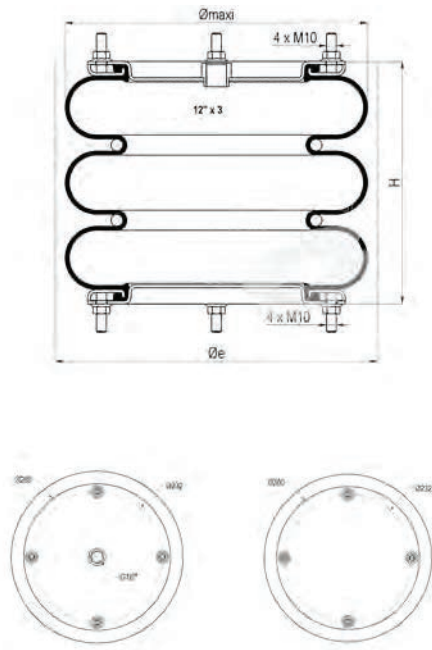
Fastening torque M10 x 1,5 : 20 to 28 Nm

Indicative value of force to reach the minimum height at atmospheric pressure is 10 daN.

Bellow 12" x 3 reinforced steel

DB1238/B

INDUSTRY



Technical characteristics

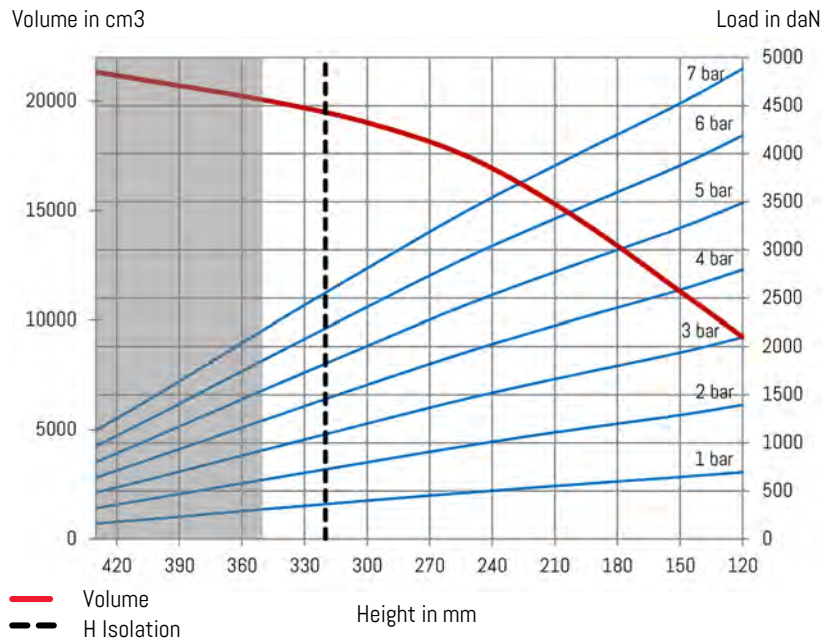
Maximum pressure	8 bar
Burst pressure	24 bar
Maximum angular capacity	15°
Maximum out of alignment	10 mm

Static diameter	305 mm
Maximum diameter	330 mm
Minimum overall diameter (Øe)	350 mm
Minimum height	120 mm
Static height (H)	250 mm
Maximum height	430 mm
Maximum recommended height	350 mm
Total stroke	310 mm
Effective area at static height	490 cm ²
Stiffness at 4 bar	30 daN/mm
Natural frequency at 4 bar	1,66 Hz
Weight	9 kg

Dynamic characteristics at H = 320mm*

Pressure	2 bar	4 bar	6 bar
Load (daN)	850	1595	2340
Volume (dm ³)	13,7	13,9	14,1
Stiffness (daN/mm)	98	156	215
Natural frequency (Hz)	1,69	1,56	1,51
Isolation rate at 10Hz %	97,1%	97,5%	97,7%

* Recommended height for better isolation



Temperatures

Chlorobutyl	-25°C (-35°C static)	+90°C (+100°C static)
-------------	----------------------	-----------------------

References

DB1238/B	Bellow 3 convolutes 12" x 3 4 ply chlorobutyl reinforced steel bolted air inlet G ^{1/2} centered
----------	-----------------------------------------------------------------------------------------------------------

Characteristics in static condition (daN)

Height	2 bar	3 bar	4 bar	5 bar	6 bar	7 bar	8 bar	Vol 5 bar
120	1 395	2 097	2 794	3 489	4 189	4 884		9243
150	1 289	1 938	2 585	3 228	3 877	4 523		11305
200	1 140	1 710	2 279	2 848	3 417	3 984		14689
250	978	1 471	1 959	2 451	2 943	3 431	Contact us	17394
300	798	1 201	1 603	2 006	2 408	2 809		19025
320	730	1 090	1 455	1 830	2 193	2 555		19637
350	616	924	1 233	1 546	1 857	2 169		20067
400	432	646	861	1 077	1 295	1 509		20866
430	321	484	639	799	961	1 130		21334

Mounting instructions

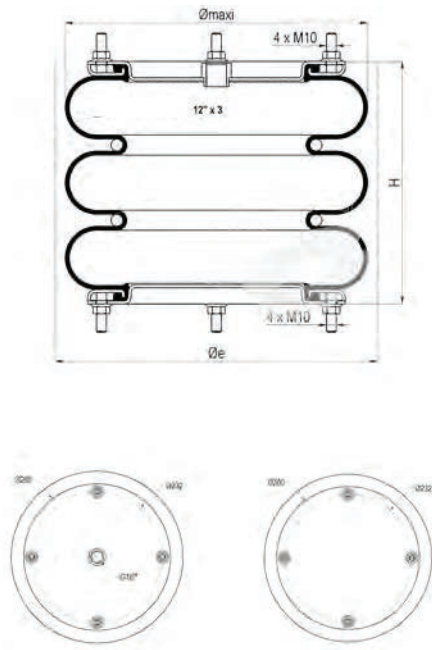
Fastening torque M10 x 1,5 : 20 to 28 Nm

Indicative value of force to reach the minimum height at atmospheric pressure is 90 daN.

Bellow 12" x 3 reinforced steel

DB1238/E

INDUSTRY



Technical characteristics

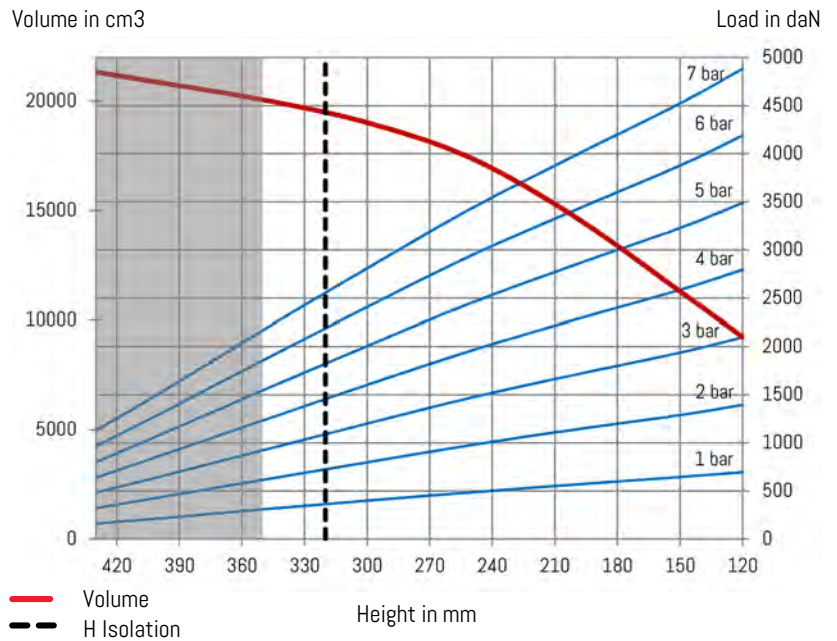
Maximum pressure	8 bar
Burst pressure	24 bar
Maximum angular capacity	15°
Maximum out of alignment	10 mm

Static diameter	305 mm
Maximum diameter	330 mm
Minimum overall diameter (\varnothing_e)	350 mm
Minimum height	120 mm
Static height (H)	250 mm
Maximum height	430 mm
Maximum recommended height	350 mm
Total stroke	310 mm
Effective area at static height	490 cm ²
Stiffness at 4 bar	30 daN/mm
Natural frequency at 4 bar	1,66 Hz
Weight	9 kg

Dynamic characteristics at H = 320mm*

Pressure	2 bar	4 bar	6 bar
Load (daN)	850	1595	2340
Volume (dm ³)	13,7	13,9	14,1
Stiffness (daN/mm)	98	156	215
Natural frequency (Hz)	1,69	1,56	1,51
Isolation rate at 10Hz %	97,1%	97,5%	97,7%

* Recommended height for better isolation



Temperatures

Epichlore	-20°C (-30°C static)	+115°C (+120°C static)
-----------	----------------------	------------------------

References

DB1238/E	Bellow 3 convolutes 12" x 3 4 ply reinforced Epichlore steel bolted air inlet G ^{1/2} centered
----------	---------------------------------------------------------------------------------------------------------

Characteristics in static condition (daN)

Height	2 bar	3 bar	4 bar	5 bar	6 bar	7 bar	8 bar	Vol 5 bar
120	1 395	2 097	2 794	3 489	4 189	4 884		9243
150	1 289	1 938	2 585	3 228	3 877	4 523		11305
200	1 140	1 710	2 279	2 848	3 417	3 984		14689
250	978	1 471	1 959	2 451	2 943	3 431	Contact us	17394
300	798	1 201	1 603	2 006	2 408	2 809		19025
320	730	1 090	1 455	1 830	2 193	2 555		19637
350	616	924	1 233	1 546	1 857	2 169		20067
400	432	646	861	1 077	1 295	1 509		20866
430	321	484	639	799	961	1 130	21334	

Mounting instructions

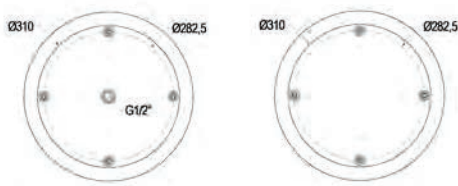
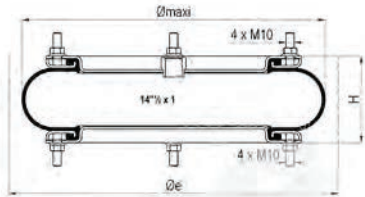
Fastening torque M10 x 1,5 : 20 to 28 Nm

Indicative value of force to reach the minimum height at atmospheric pressure is 90 daN.

Bellow 14" 1/2 x 1 steel

DB1417/B

INDUSTRY



Technical characteristics

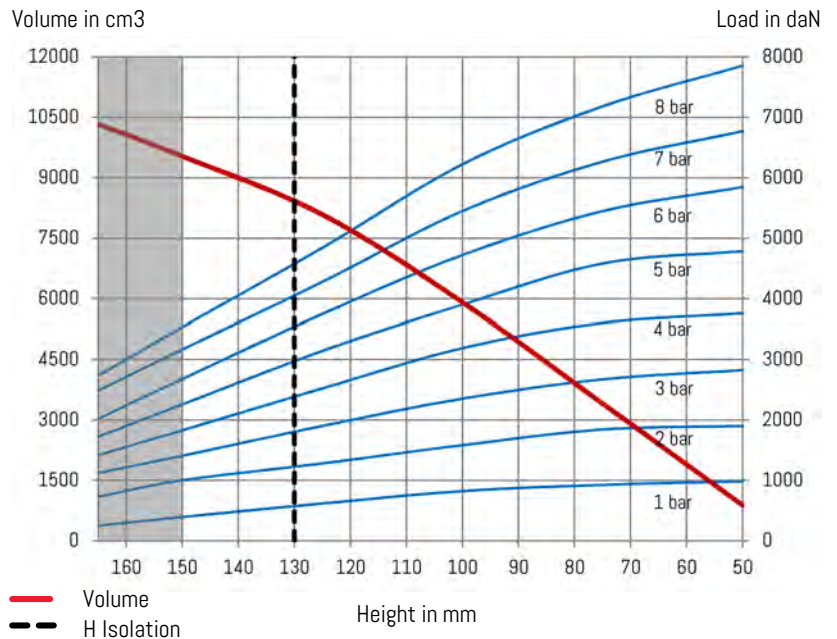
Maximum pressure	8 bar
Burst pressure	24 bar
Maximum angular capacity	10°
Maximum out of alignment	10 mm

Static diameter	368 mm
Maximum diameter	395 mm
Minimum overall diameter (Øe)	425 mm
Minimum height	50 mm
Static height (H)	110 mm
Maximum height	165 mm
Maximum recommended height	150 mm
Total stroke	115 mm
Effective area at static height	710 cm ²
Stiffness at 4 bar	112 daN/mm
Natural frequency at 4 bar	2,60 Hz
Weight	6,90 kg

Dynamic characteristics at H = 130mm*

Pressure	2 bar	4 bar	6 bar
Load (daN)	1325	2635	3940
Volume (dm ³)	8,66	8,97	9,28
Stiffness (daN/mm)	328	559	784
Natural frequency (Hz)	2,48	2,30	2,22
Isolation rate at 10Hz %	93,4%	94,4%	94,8%

* Recommended height for better isolation



Temperatures

Chlorobutyl	-25°C (-35°C static)	+90°C (+100°C static)
-------------	----------------------	-----------------------

References

DB1417/B Bellow 1 convolute 14" 1/2 x 1 Chlorobutyl steel bolted air inlet G1/2 centered

Characteristics in static condition (daN)

Height	2 bar	3 bar	4 bar	5 bar	6 bar	7 bar	8 bar	Vol 5 bar
50	1 901	2 826	3 759	4 785	5 847	6 771	7 856	883
75	1 843	2 673	3 602	4 581	5 447	6 266	7 181	3411
100	1 584	2 354	3 189	3 902	4 721	5 449	6 223	5911
110	1 493	2 186	2 942	3 648	4 361	5 002	5 688	6780
125	1 282	1 902	2 523	3 143	3 748	4 277	4 841	8087
130	1 257	1 842	2 457	3 028	3 602	4 165	4 699	8298
150	1 002	1 409	1 830	2 258	2 679	3 166	3 534	9535
165	730	1 122	1 420	1 724	2 018	2 492	2 736	10331

Mounting instructions

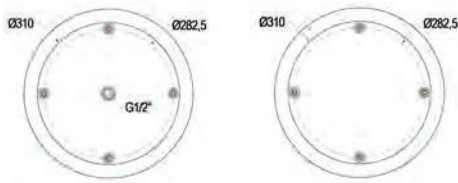
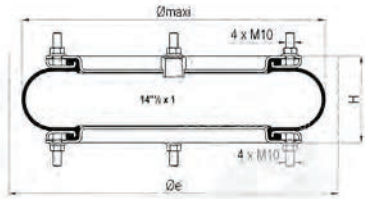
Fastening torque M10 x 1,5 : 20 to 28 Nm

Indicative value of force to reach the minimum height at atmospheric pressure is 8 daN.

Bellow 14" 1/2 x 1 steel

DB1417/E

INDUSTRY



Technical characteristics

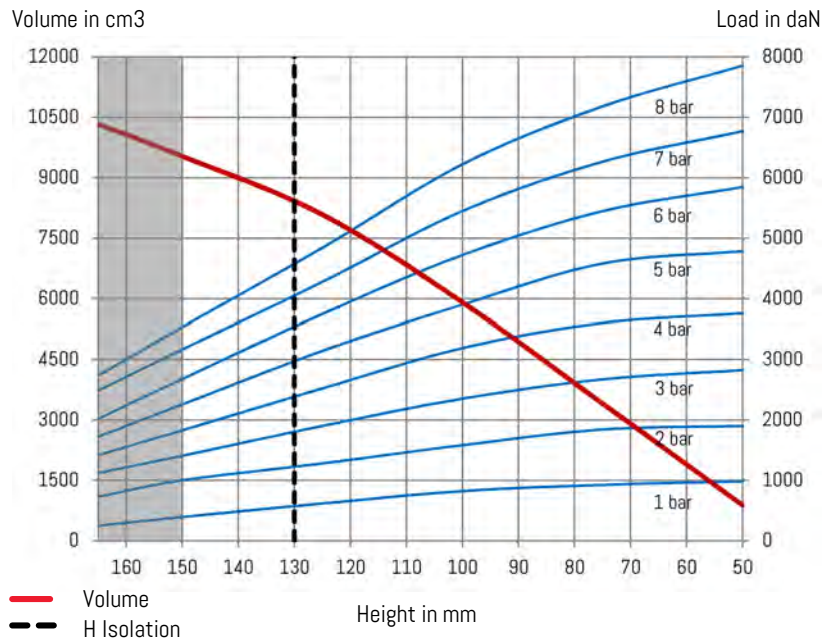
Maximum pressure	8 bar
Burst pressure	24 bar
Maximum angular capacity	10°
Maximum out of alignment	10 mm

Static diameter	368 mm
Maximum diameter	395 mm
Minimum overall diameter (Øe)	425 mm
Minimum height	50 mm
Static height (H)	110 mm
Maximum height	165 mm
Maximum recommended height	150 mm
Total stroke	115 mm
Effective area at static height	710 cm ²
Stiffness at 4 bar	112 daN/mm
Natural frequency at 4 bar	2,60 Hz
Weight	6,90 kg

Dynamic characteristics at H = 130mm*

Pressure	2 bar	4 bar	6 bar
Load (daN)	1325	2635	3940
Volume (dm ³)	8,66	8,97	9,28
Stiffness (daN/mm)	328	559	784
Natural frequency (Hz)	2,48	2,30	2,22
Isolation rate at 10Hz %	93,4%	94,4%	94,8%

* Recommended height for better isolation



Temperatures

Epichlore	-20°C (-30°C static)	+115°C (+120°C static)
-----------	----------------------	------------------------

References

DB1417/E	Bellow 2 convolutes 14" 1/2 x 1 Epichlore steel bolted air inlet G ^{1/2} centered
----------	--------------------------------------------------------------------------------------------

Characteristics in static condition (daN)

Height	2 bar	3 bar	4 bar	5 bar	6 bar	7 bar	8 bar	Vol 5 bar
50	1 901	2 826	3 759	4 785	5 847	6 771	7 856	883
75	1 843	2 673	3 602	4 581	5 447	6 266	7 181	3411
100	1 584	2 354	3 189	3 902	4 721	5 449	6 223	5911
110	1 493	2 186	2 942	3 648	4 361	5 002	5 688	6780
125	1 282	1 902	2 523	3 143	3 748	4 277	4 841	8087
130	1 257	1 842	2 457	3 028	3 602	4 165	4 699	8298
150	1 002	1 409	1 830	2 258	2 679	3 166	3 534	9535
165	730	1 122	1 420	1 724	2 018	2 492	2 736	10331

Mounting instructions

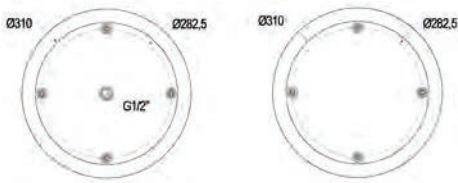
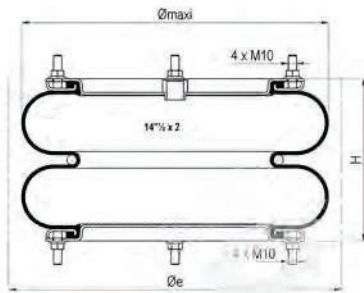
Fastening torque M10 x 1,5 : 20 to 28 Nm

Indicative value of force to reach the minimum height at atmospheric pressure is 8 daN.

Bellow 14" ½ x 2 steel

DB1428/B

INDUSTRY



Technical characteristics

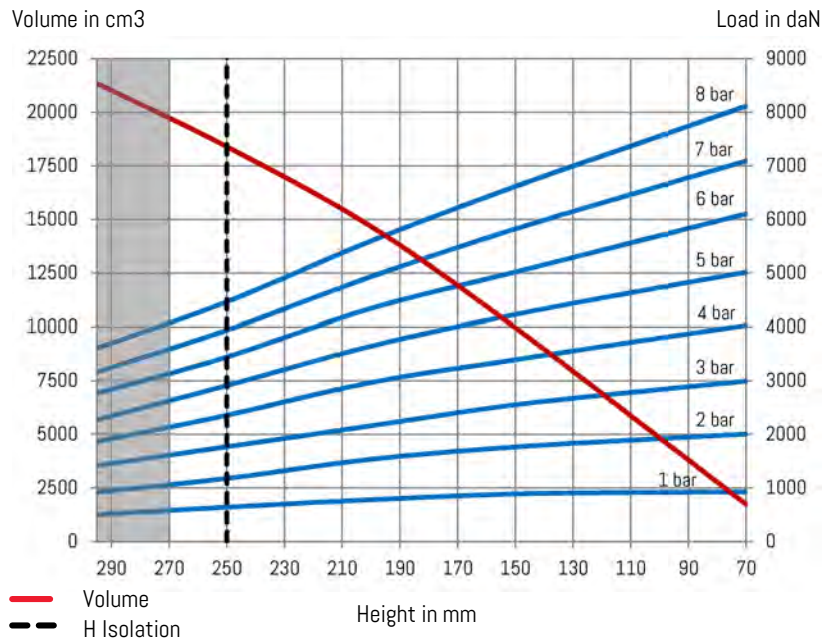
Maximum pressure	8 bar
Burst pressure	24 bar
Maximum angular capacity	15°
Maximum out of alignment	10 mm

Static diameter	368 mm
Maximum diameter	395 mm
Minimum overall diameter (Øe)	425 mm
Minimum height	70 mm
Static height (H)	180 mm
Maximum height	295 mm
Maximum recommended height	270 mm
Total stroke	225 mm
Effective area at static height	780 cm ²
Stiffness at 4 bar	53 daN/mm
Natural frequency at 4 bar	1,8 Hz
Weight	9,1 kg

Dynamic characteristics at H = 250mm*

Pressure	2 bar	4 bar	6 bar
Load (daN)	1185	2380	3560
Volume (dm ³)	17,2	17,8	18,4
Stiffness (daN/mm)	151	264	373
Natural frequency (Hz)	1,78	1,66	1,61
Isolation rate at 10Hz %	96,7%	97,2%	97,3%

* Recommended height for better isolation



Temperatures

Chlorobutyl	-25°C (-35°C static)	+90°C (+100°C static)
-------------	----------------------	-----------------------

References

DB1428/B	Bellow 2 convolutes 14" ½ x 2 Chlorobutyl steel bolted air inlet G ^{1/2} centered
----------	--------------------------------------------------------------------------------------------

Characteristics in static condition (daN)

Height	2 bar	3 bar	4 bar	5 bar	6 bar	7 bar	8 bar	Vol 5 bar
70	2 010	2 996	4 031	5 017	6 107	7 093	8 119	1744
100	1 923	2 840	3 798	4 734	5 701	6 624	7 558	4846
150	1 768	2 556	3 395	4 232	5 023	5 826	6 618	9970
180	1 619	2 324	3 131	3 878	4 596	5 277	5 989	12816
200	1 539	2 164	2 971	3 647	4 346	4 935	5 601	14680
250	1 181	1 772	2 361	2 915	3 446	3 945	4 468	18403
270	1 086	1 625	2 167	2 651	3 176	3 622	4 117	19794
295	925	1 421	1 869	2 273	2 770	3 167	3 609	21351

Mounting instructions

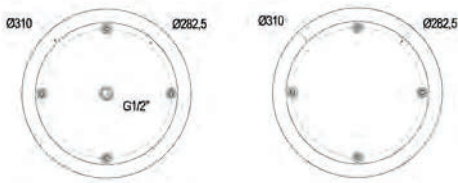
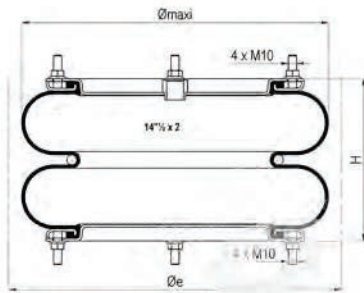
Fastening torque M10 x 1,5 : 20 to 28 Nm

Indicative value of force to reach the minimum height at atmospheric pressure is 8 daN.

Bellow 14" ½ x 2 steel

DB1428/E

INDUSTRY



Technical characteristics

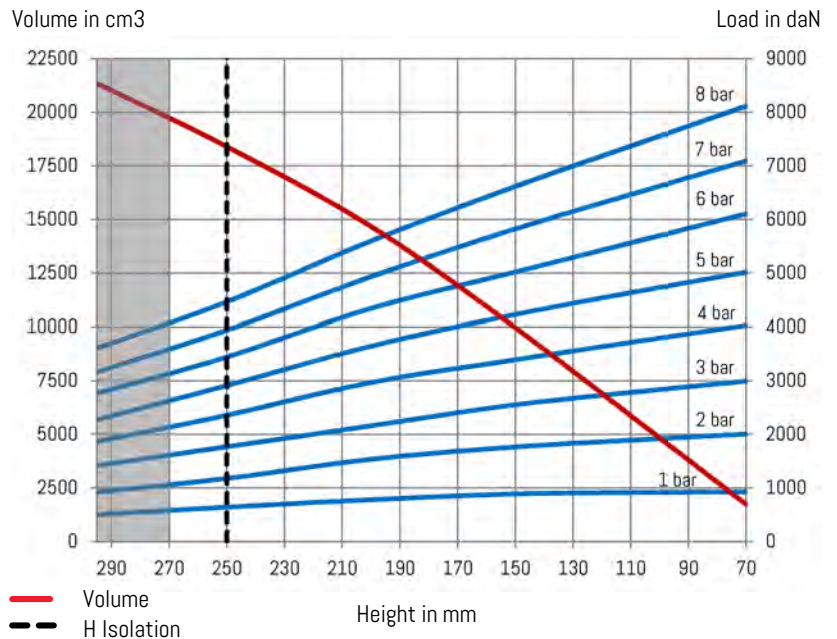
Maximum pressure	8 bar
Burst pressure	24 bar
Maximum angular capacity	15°
Maximum out of alignment	10 mm

Static diameter	368 mm
Maximum diameter	395 mm
Minimum overall diameter (Øe)	425 mm
Minimum height	70 mm
Static height (H)	180 mm
Maximum height	295 mm
Maximum recommended height	270 mm
Total stroke	225 mm
Effective area at static height	780 cm ²
Stiffness at 4 bar	53 daN/mm
Natural frequency at 4 bar	1,8 Hz
Weight	9,1 kg

Dynamic characteristics at H = 250mm*

Pressure	2 bar	4 bar	6 bar
Load (daN)	1185	2380	3560
Volume (dm ³)	17,2	17,8	18,4
Stiffness (daN/mm)	151	264	373
Natural frequency (Hz)	1,78	1,66	1,61
Isolation rate at 10Hz %	96,7%	97,2%	97,3%

* Recommended height for better isolation



Temperatures

Epichlore	-20°C (-30°C static)	+115°C (+120°C static)
-----------	----------------------	------------------------

References

DB1428/E Bellow 2 convolutes 14" ½ x 2 Epichlore steel bolted air inlet G^{1/2}centered

Characteristics in static condition (daN)

Height	2 bar	3 bar	4 bar	5 bar	6 bar	7 bar	8 bar	Vol 5 bar
70	2 010	2 996	4 031	5 017	6 107	7 093	8 119	1744
100	1 923	2 840	3 798	4 734	5 701	6 624	7 558	4846
150	1 768	2 556	3 395	4 232	5 023	5 826	6 618	9970
180	1 619	2 324	3 131	3 878	4 596	5 277	5 989	12816
200	1 539	2 164	2 971	3 647	4 346	4 935	5 601	14680
250	1 181	1 772	2 361	2 915	3 446	3 945	4 468	18403
270	1 086	1 625	2 167	2 651	3 176	3 622	4 117	19794
295	925	1 421	1 869	2 273	2 770	3 167	3 609	21351

Mounting instructions

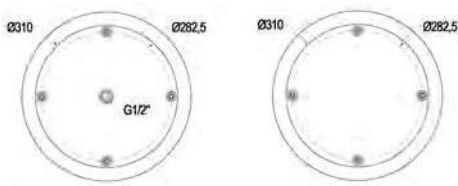
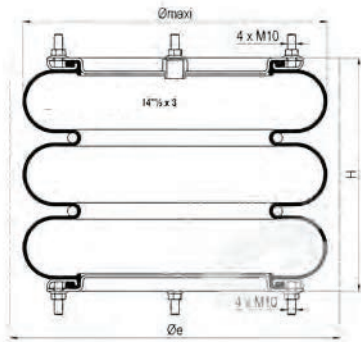
Fastening torque M10 x 1,5 : 20 to 28 Nm

Indicative value of force to reach the minimum height at atmospheric pressure is 8 daN.

Bellow 14" 1/2 x 3 steel

DB14312/B

INDUSTRY



Technical characteristics

Maximum pressure	8 bar
Burst pressure	24 bar
Maximum angular capacity	15°
Maximum out of alignment	10 mm

Static diameter	368 mm
Maximum diameter	395 mm
Minimum overall diameter (Øe)	425 mm
Minimum height	100 mm
Static height (H)	280 mm
Maximum height	450 mm
Maximum recommended height	420 mm
Total stroke	350 mm
Effective area at static height	800 cm ²
Stiffness at 4 bar	32 daN/mm
Natural frequency at 4 bar	1,4 Hz
Weight	10 kg

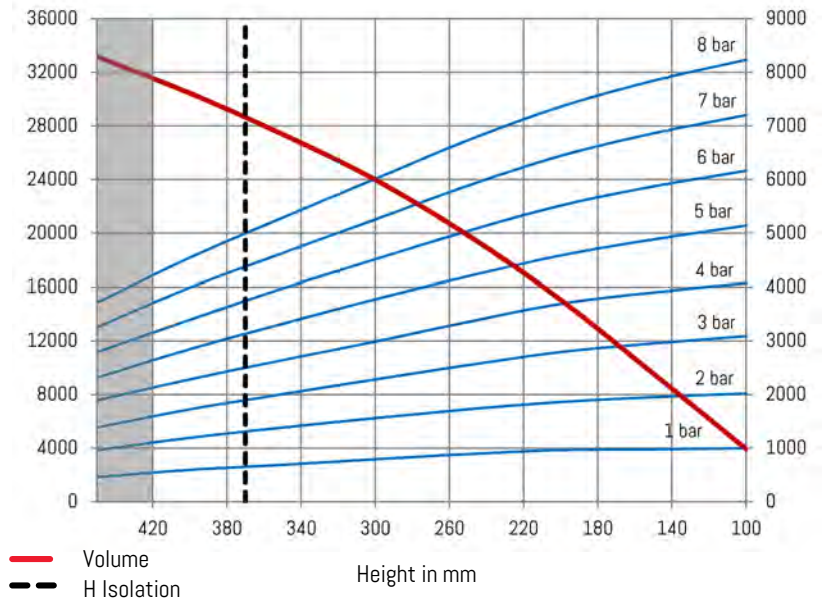
Dynamic characteristics at H = 370mm*

Pressure	2 bar	4 bar	6 bar
Load (daN)	1110	2235	3365
Volume (dm ³)	26,07	26,97	27,86
Stiffness (daN/mm)	92	163	233
Natural frequency (Hz)	1,43	1,35	1,31
Isolation rate at 10Hz %	97,9%	98,1%	98,2%

* Recommended height for better isolation

Volume in cm³

Load in daN



Temperatures

Chlorobutyl	-25°C (-35°C static)	+90°C (+100°C static)
-------------	----------------------	-----------------------

References

DB14312/B	Bellow 3 convolutes 14" 1/2 x 3 2 ply Chlorobutyl steel bolted air inlet G ^{1/2} centered
-----------	----------------------------------------------------------------------------------------------------

Characteristics in static condition (daN)

Height	2 bar	3 bar	4 bar	5 bar	6 bar	7 bar	8 bar	Vol 5 bar
100	2 021	3 090	4 076	5 141	6 165	7 201	8 235	3945
150	1 952	2 955	3 903	4 884	5 873	6 863	7 845	9562
200	1 862	2 794	3 692	4 585	5 516	6 443	7 360	15064
250	1 725	2 550	3 355	4 200	5 042	5 887	6 734	19847
280	1 633	2 404	3 2158	3 957	4 745	5 536	6 330	22302
300	1 561	2 284	2 989	3 775	4 516	5 256	6 012	23992
350	1 384	2 007	2 642	3 320	3 975	4 631	5 288	27388
370	1 312	1 905	2 524	3 146	3 772	4 402	5 029	28806
400	1 194	1 725	2 284	2 847	3 394	3 990	4 545	30449
420	1 098	1 585	2 126	2 635	3 161	3 691	4 211	31642
450	963	1 386	1 896	2 317	2 793	3 258	3 708	33180

Mounting instructions

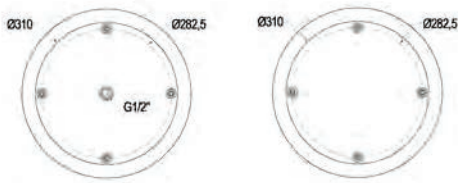
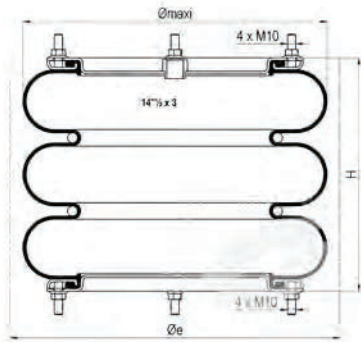
Fastening torque M10 x 1,5 : 20 to 28 Nm

Indicative value of force to reach the minimum height at atmospheric pressure is 29 daN.

Bellow 14" 1/2 x 3 steel

DB14312/E

INDUSTRY



Technical characteristics

Maximum pressure	8 bar
Burst pressure	24 bar
Maximum angular capacity	15°
Maximum out of alignment	10 mm

Static diameter	368 mm
Maximum diameter	395 mm
Minimum overall diameter (Øe)	425 mm
Minimum height	100 mm
Static height (H)	280 mm
Maximum height	450 mm
Maximum recommended height	420 mm
Total stroke	350 mm
Effective area at static height	800 cm ²
Stiffness at 4 bar	32 daN/mm
Natural frequency at 4 bar	1,4 Hz
Weight	10 kg

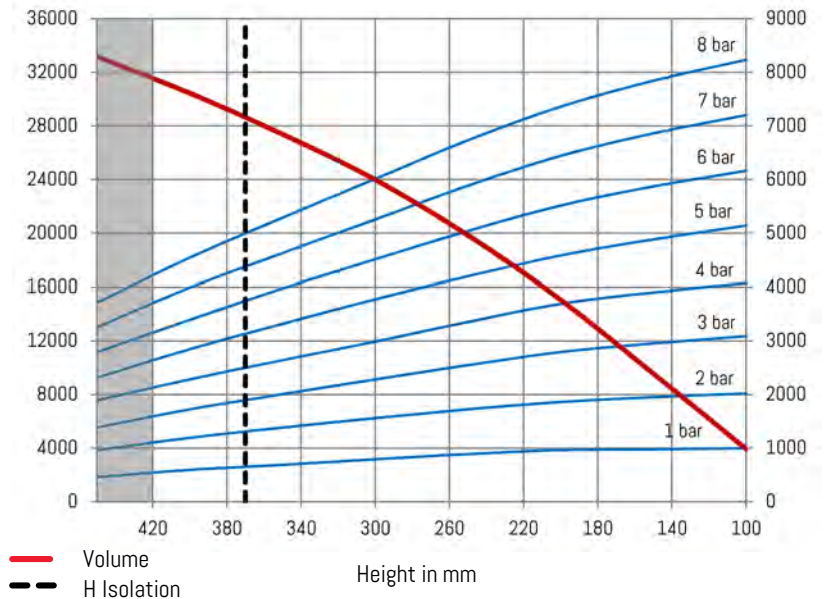
Dynamic characteristics at H = 370mm*

Pressure	2 bar	4 bar	6 bar
Load (daN)	1110	2235	3365
Volume (dm ³)	26,07	26,97	27,86
Stiffness (daN/mm)	92	163	233
Natural frequency (Hz)	1,43	1,35	1,31
Isolation rate at 10Hz %	97,9%	98,1%	98,2%

* Recommended height for better isolation

Volume in cm³

Load in daN



Temperatures

Epichlore	-20°C (-30°C static)	+115°C (+120°C static)
-----------	----------------------	------------------------

References

DB14312/E Bellow 3 convolutes 14" 1/2 x 3 2 ply Epichlore steel bolted air inlet G^{1/2} centered

Characteristics in static condition (daN)

Height	2 bar	3 bar	4 bar	5 bar	6 bar	7 bar	8 bar	Vol 5 bar
100	2 021	3 090	4 076	5 141	6 165	7 201	8 235	3945
150	1 952	2 955	3 903	4 884	5 873	6 863	7 845	9562
200	1 862	2 794	3 692	4 585	5 516	6 443	7 360	15064
250	1 725	2 550	3 355	4 200	5 042	5 887	6 734	19847
280	1 633	2 404	3 215	3 957	4 745	5 536	6 330	22302
300	1 561	2 284	2 989	3 775	4 516	5 256	6 012	23992
350	1 384	2 007	2 642	3 320	3 975	4 631	5 288	27388
370	1 312	1 905	2 524	3 146	3 772	4 402	5 029	28806
400	1 194	1 725	2 284	2 847	3 394	3 990	4 545	30449
420	1 098	1 585	2 126	2 635	3 161	3 691	4 211	31642
450	963	1 386	1 896	2 317	2 793	3 258	3 708	33180

Mounting instructions

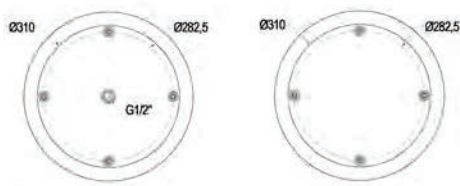
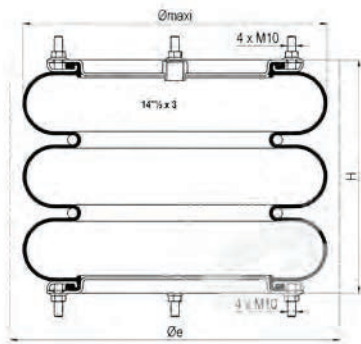
Fastening torque M10 x 1,5 : 20 to 28 Nm

Indicative value of force to reach the minimum height at atmospheric pressure is 29 daN.

Bellow 14" ½ x 3 reinforced steel

DB1438/B

INDUSTRY



Technical characteristics

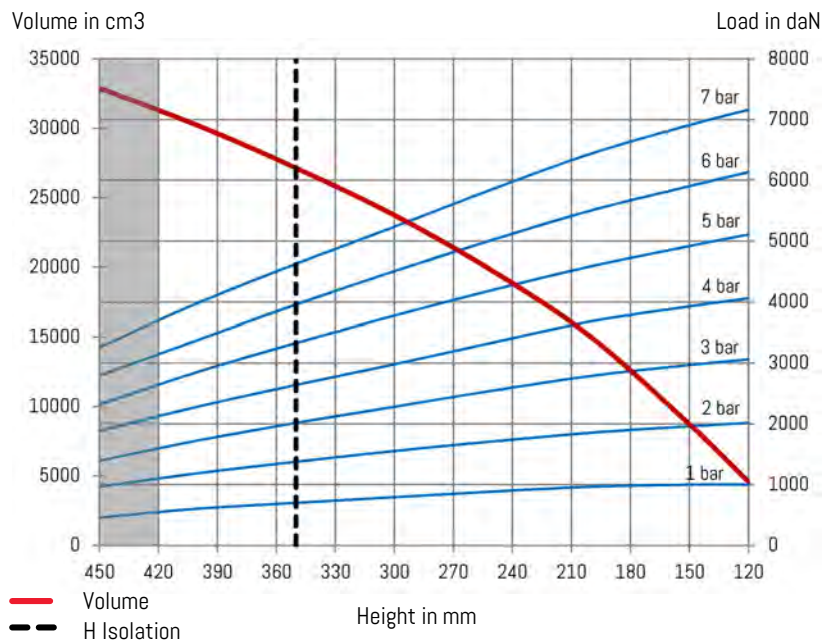
Maximum pressure	8 bar
Burst pressure	24 bar
Maximum angular capacity	15°
Maximum out of alignment	10 mm

Static diameter	368 mm
Maximum diameter	395 mm
Minimum overall diameter (Øe)	425 mm
Minimum height	120 mm
Static height (H)	280 mm
Maximum height	450 mm
Maximum recommended height	420 mm
Total stroke	330 mm
Effective area at static height	800 cm ²
Stiffness at 4 bar	32 daN/mm
Natural frequency at 4 bar	1,4 Hz
Weight	11 kg

Dynamic characteristics at H = 350mm*

Pressure	2 bar	4 bar	6 bar
Load (daN)	1095	2220	3350
Volume (dm ³)	23,8	24,0	24,2
Stiffness (daN/mm)	99	177	254
Natural frequency (Hz)	1,50	1,41	1,37
Isolation rate at 10Hz %	97,7%	98,0%	98,1%

* Recommended height for better isolation



Temperatures

Chlorobutyl	-25°C (-35°C static)	+90°C (+100°C static)
-------------	----------------------	-----------------------

References

DB1438/B Bellow 3 convolutes 14" ½ x 3 4 ply reinforced Chlorobutyl steel bolted air inlet G^{1/2} centered

Characteristics in static condition (daN)

Height	2 bar	3 bar	4 bar	5 bar	6 bar	7 bar	8 bar	Vol 5 bar
120	2 018	3 062	4 058	5 108	6 134	7 161		4595
150	1 961	2 969	3 926	4 918	5 904	6 909		8725
200	1 856	2 791	3 681	4 584	5 504	6 439		14986
250	1 711	2 548	3 337	4 195	5 021	5 857	Contact us	19714
280	1 623	2 397	3 139	3 955	4 718	5 503		22230
300	1 554	2 283	2 982	3 775	4 504	5 235		23736
350	1 377	2 016	2 642	3 330	3 957	4 626		27135
370	1 307	1 898	2 503	3 146	3 748	4 368		28753
400	1 189	1 727	2 284	2 856	3 379	3 981		30202
420	1 102	1 584	2 116	2 646	3 157	3 680		31374
450	967	1 394	1 884	2 319	2 796	3 259	32898	

Mounting instructions

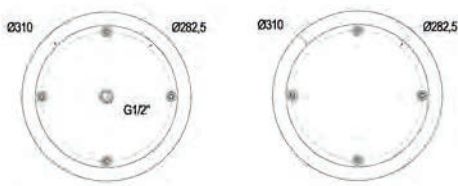
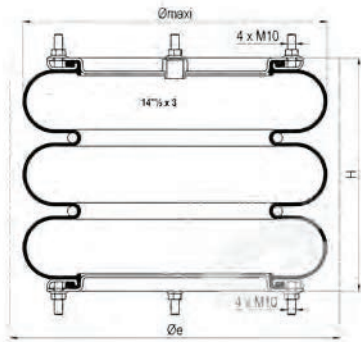
Fastening torque M10 x 1,5 : 20 to 28 Nm

Indicative value of force to reach the minimum height at atmospheric pressure is 85 daN.

Bellow 14" ½ x 3 reinforced steel

DB1438/E

INDUSTRY



Technical characteristics

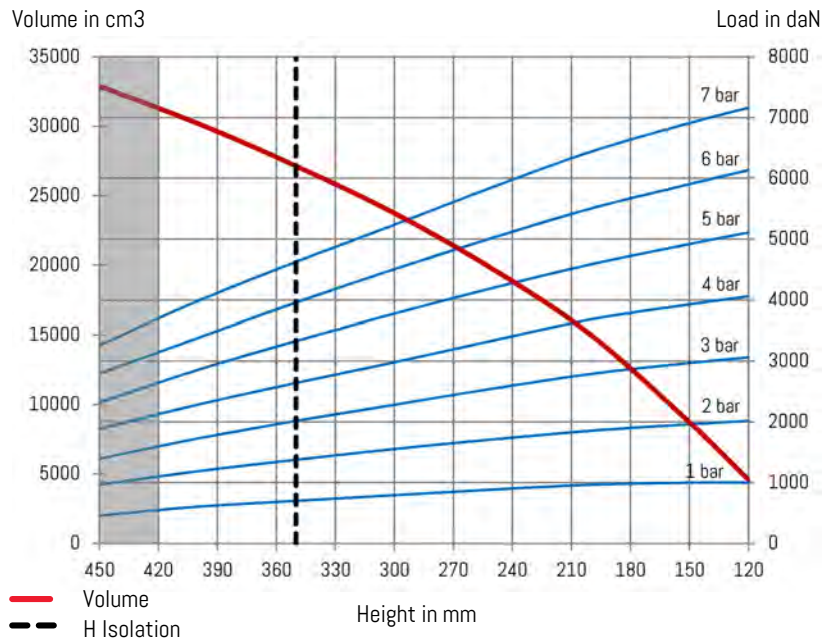
Maximum pressure	8 bar
Burst pressure	24 bar
Maximum angular capacity	15°
Maximum out of alignment	10 mm

Static diameter	368 mm
Maximum diameter	395 mm
Minimum overall diameter (Øe)	425 mm
Minimum height	120 mm
Static height (H)	280 mm
Maximum height	450 mm
Maximum recommended height	420 mm
Total stroke	330 mm
Effective area at static height	800 cm ²
Stiffness at 4 bar	32 daN/mm
Natural frequency at 4 bar	1,4 Hz
Weight	11 kg

Dynamic characteristics at H = 350mm*

Pressure	2 bar	4 bar	6 bar
Load (daN)	1095	2220	3350
Volume (dm ³)	23,8	24,0	24,2
Stiffness (daN/mm)	99	177	254
Natural frequency (Hz)	1,50	1,41	1,37
Isolation rate at 10Hz %	97,7%	98,0%	98,1%

* Recommended height for better isolation



Temperatures

Epichlore	-20°C (-30°C static)	+115°C (+120°C static)
-----------	----------------------	------------------------

References

DB1438/E	Bellow 3 convolutes 14" ½ x 3 4 ply reinforced Epichlore steel bolted air inlet G ^{1/2} centered
----------	-----------------------------------------------------------------------------------------------------------

Characteristics in static condition (daN)

Height	2 bar	3 bar	4 bar	5 bar	6 bar	7 bar	8 bar	Vol 5 bar
120	2 018	3 062	4 058	5 108	6 134	7 161		4595
150	1 961	2 969	3 926	4 918	5 904	6 909		8725
200	1 856	2 791	3 681	4 584	5 504	6 439		14986
250	1 711	2 548	3 337	4 195	5 021	5 857		19714
280	1 623	2 397	3 139	3 955	4 718	5 503		22230
300	1 554	2 283	2 982	3 775	4 504	5 235		23736
350	1 377	2 016	2 642	3 330	3 957	4 626		27135
370	1 307	1 898	2 503	3 146	3 748	4 368		28753
400	1 189	1 727	2 284	2 856	3 379	3 981		30202
420	1 102	1 584	2 116	2 646	3 157	3 680		31374
450	967	1 394	1 884	2 319	2 796	3 259		32898

Contact us

Mounting instructions

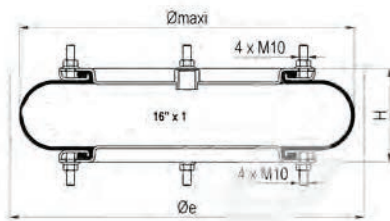
Fastening torque M10 x 1,5 : 20 to 28 Nm

Indicative value of force to reach the minimum height at atmospheric pressure is 85 daN.

Bellow 16" x 1 steel

DB1618/B

INDUSTRY



Technical characteristics

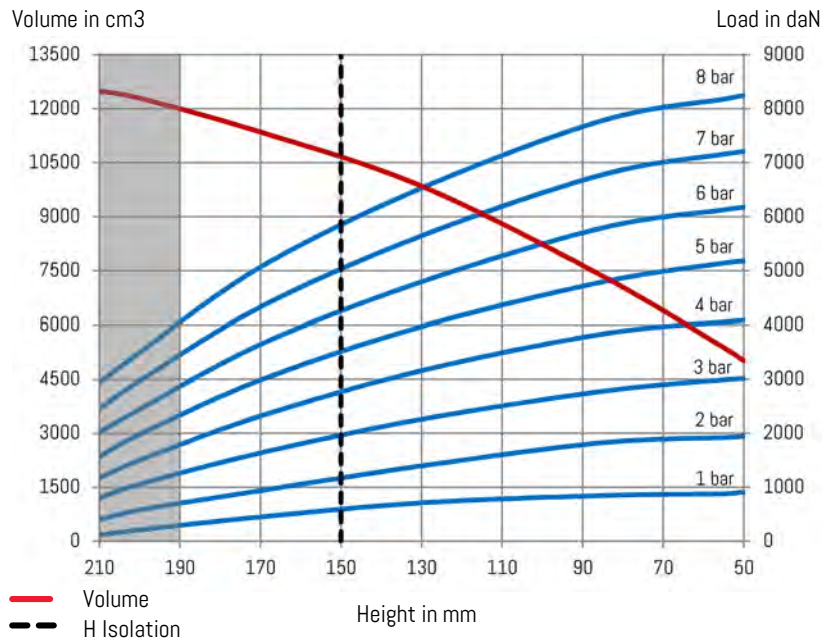
Maximum pressure	8 bar
Burst pressure	25 bar
Maximum angular capacity	10°
Maximum out of alignment	10 mm

Static diameter	406 mm
Maximum diameter	440 mm
Minimum overall diameter (Øe)	450 mm
Minimum height	50 mm
Static height (H)	130 mm
Maximum height	210 mm
Maximum recommended height	190 mm
Total stroke	160 mm
Effective area at static height	830 cm ²
Stiffness at 4 bar	38,63 daN/mm
Natural frequency at 4 bar	1,70 Hz
Weight	7 kg

Dynamic characteristics at H = 150mm*

Pressure	2 bar	4 bar	6 bar
Load (daN)	1174	2770	4269
Volume (dm ³)	10,65	10,65	10,65
Stiffness (daN/mm)	248	513	733
Natural frequency (Hz)	2,29	2,14	2,07
Isolation rate at 10Hz %	94,5	95,2	95,5

* Recommended height for better isolation



Temperatures

Chlorobutyl	-25°C (-35°C static)	+90°C (+100°C static)
-------------	----------------------	-----------------------

References

DB1618/B	Bellow 1 convolute 16" x 1 Chlorobutyl steel bolted air inlet G ^{1/2} centered
----------	-----------------------------------------------------------------------------------------

Characteristics in static condition (daN)

Height	2 bar	3 bar	4 bar	5 bar	6 bar	7 bar	8 bar	Vol 5 bar
50	1945	3016	4084	5180	6174	7208	8 243	5016
55	1920	2990	4053	5140	6126	7156	8 176	5379
85	1826	2776	3836	4792	5793	6779	7 782	7347
130	1396	2259	3160	3973	4794	5646	6 529	9848
150	1205	1970	2778	3509	4268	5044	5 860	10669
170	938	1636	2318	2985	3644	4330	5 067	11350
190	699	1246	1780	2309	2861	3433	4 042	12015
200	579	1057	1500	1978	2441	2969	3 493	12290
210	396	806	1172	1570	2016	2455	2 940	12490

Mounting instructions

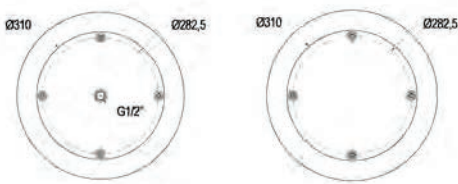
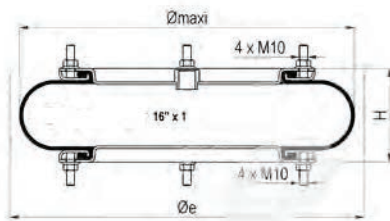
Fastening torque M10 x 1,5 : 20 to 28 Nm

Indicative value of force to reach the minimum height at atmospheric pressure is 8 daN.

Bellow 16" x 1 steel

DB1618/E

INDUSTRY



Technical characteristics

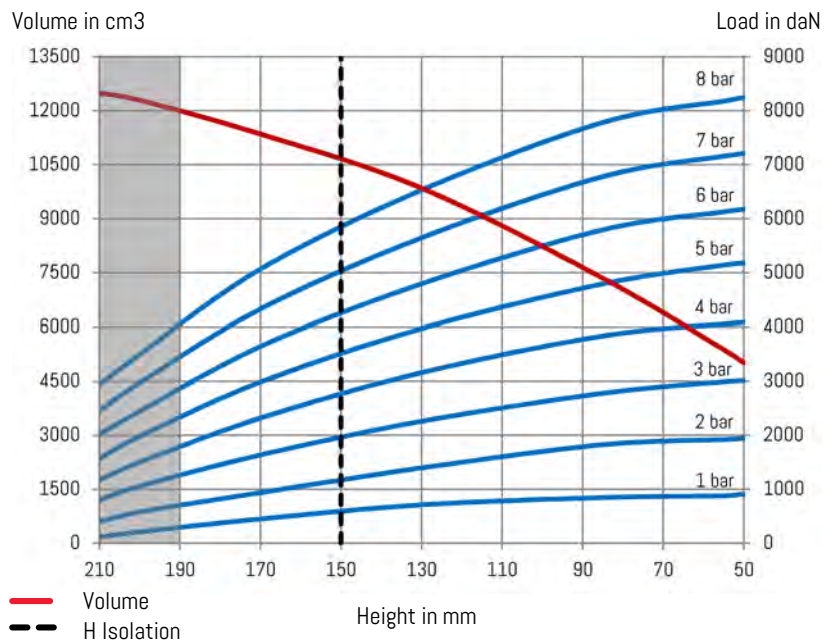
Maximum pressure	8 bar
Burst pressure	25 bar
Maximum angular capacity	10°
Maximum out of alignment	10 mm

Static diameter	406 mm
Maximum diameter	440 mm
Minimum overall diameter (Øe)	450 mm
Minimum height	50 mm
Static height (H)	130 mm
Maximum height	210 mm
Maximum recommended height	190 mm
Total stroke	160 mm
Effective area at static height	830 cm ²
Stiffness at 4 bar	38,63 daN/mm
Natural frequency at 4 bar	1,70 Hz
Weight	7 kg

Dynamic characteristics at H = 150mm*

Pressure	2 bar	4 bar	6 bar
Load (daN)	1174	2770	4269
Volume (dm ³)	10,65	10,65	10,65
Stiffness (daN/mm)	248	513	733
Natural frequency (Hz)	2,29	2,14	2,07
Isolation rate at 10Hz %	94,5	95,2	95,5

* Recommended height for better isolation



Temperatures

Epichlore	-20°C (-30°C static)	+115°C (+120°C static)
-----------	----------------------	------------------------

References

DB1618/E	Bellow 1 convolute 16" x 1 Epichlore steel bolted air inlet G ^{1/2} centered
----------	---------------------------------------------------------------------------------------

Characteristics in static condition (daN)

Height	2 bar	3 bar	4 bar	5 bar	6 bar	7 bar	8 bar	Vol 5 bar
50	1945	3016	4084	5180	6174	7208	8 243	5016
55	1920	2990	4053	5140	6126	7156	8 176	5379
85	1826	2776	3836	4792	5793	6779	7 782	7347
130	1396	2259	3160	3973	4794	5646	6 529	9848
150	1205	1970	2778	3509	4268	5044	5 860	10669
170	938	1636	2318	2985	3644	4330	5 067	11350
190	699	1246	1780	2309	2861	3433	4 042	12015
200	579	1057	1500	1978	2441	2969	3 493	12290
210	396	806	1172	1570	2016	2455	2 940	12490

Mounting instructions

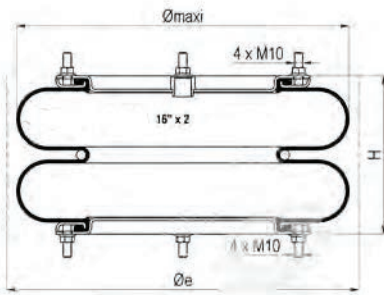
Fastening torque M10 x 1,5 : 20 to 28 Nm

Indicative value of force to reach the minimum height at atmospheric pressure is 8 daN.

Bellow 16" x 2 steel

DB1628/B

INDUSTRY



Technical characteristics

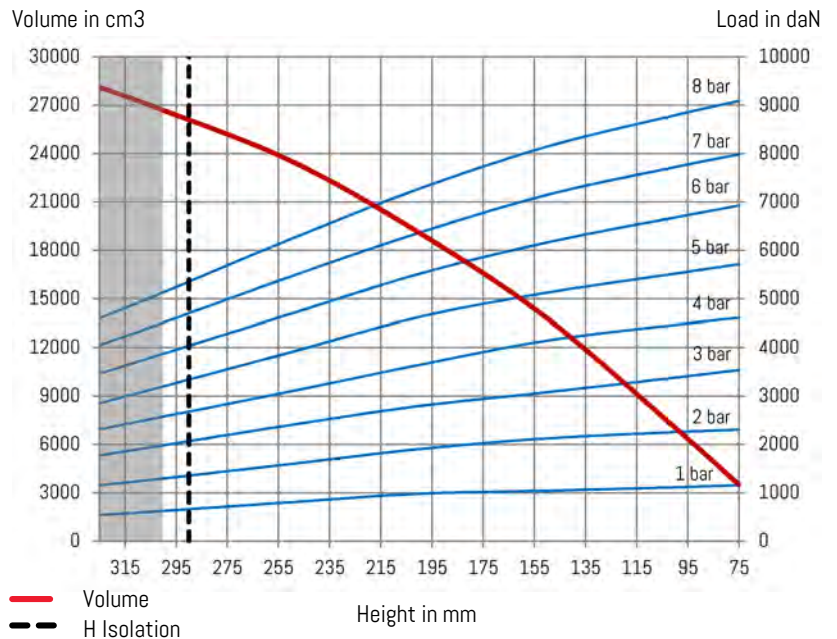
Maximum pressure	8 bar
Burst pressure	24 bar
Maximum angular capacity	15°
Maximum out of alignment	10 mm

Static diameter	406 mm
Maximum diameter	440 mm
Minimum overall diameter (Øe)	460 mm
Minimum height	75 mm
Static height (H)	200 mm
Maximum height	325 mm
Maximum recommended height	300 mm
Total stroke	250 mm
Effective area at static height	870 cm ²
Stiffness at 4 bar	63 daN/mm
Natural frequency at 4 bar	1,71 Hz
Weight	9,7 kg

Dynamic characteristics at H = 290mm*

Pressure	2 bar	4 bar	6 bar
Load (daN)	1270	2575	3865
Volume (dm ³)	24,25	24,85	25,46
Stiffness (daN/mm)	126	228	323
Natural frequency (Hz)	1,57	1,48	1,44
Isolation rate at 10Hz %	97,5%	97,8%	97,9%

* Recommended height for better isolation



Temperatures

Chlorobutyl	-25°C (-35°C static)	+90°C (+100°C static)
-------------	----------------------	-----------------------

References

DB1628/B Bellow 2 convolutes 16" x 2 2 ply Chlorobutyl steel bolted air inlet G1/2 centered

Characteristics in static condition (daN)

Height	2 bar	3 bar	4 bar	5 bar	6 bar	7 bar	8 bar	Vol 5 bar
75	2 306	3 539	4 614	5 714	6 925	7 984	9 090	3509
100	2 256	3 382	4 466	5 520	6 680	7 721	8 793	7039
150	2 125	3 080	4 146	5 127	6 164	7 147	8 145	13798
200	1 906	2 795	3 644	4 626	5 515	6 363	7 273	19094
250	1 598	2 405	3 100	3 908	4 695	5 464	6 237	23535
290	1 383	2 076	2 702	3 378	4 070	4 743	5 398	26229
300	1 298	1 984	2 575	3 201	3 874	4 512	5 133	26684
325	1 156	1 774	2 311	2 852	3 465	4 047	4 596	28120

Mounting instructions

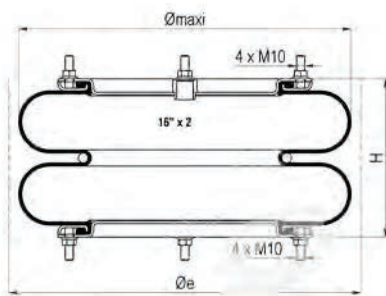
Fastening torque M10 x 1,5 : 20 to 28 Nm

Indicative value of force to reach the minimum height at atmospheric pressure is 8 daN.

Bellow 16" x 2 steel

DB1628/E

INDUSTRY



Technical characteristics

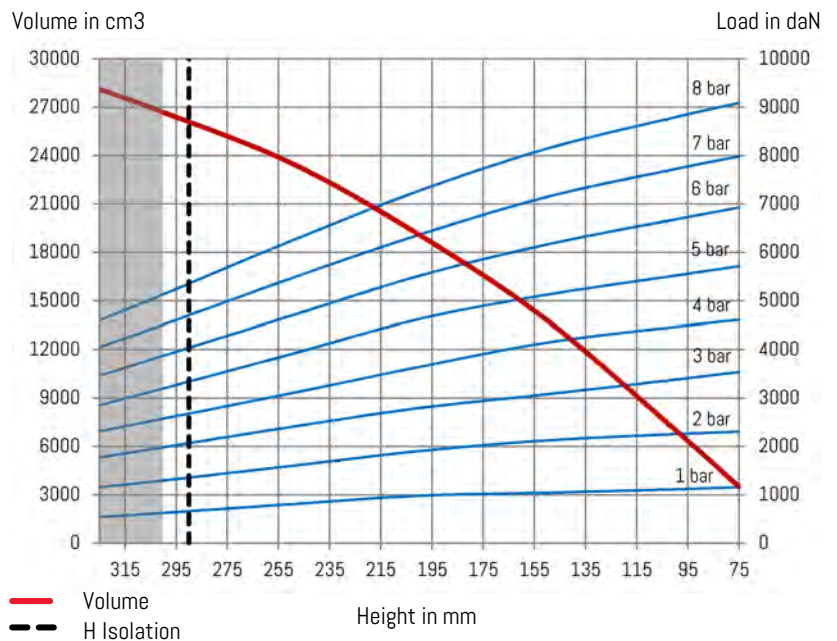
Maximum pressure	8 bar
Burst pressure	24 bar
Maximum angular capacity	15°
Maximum out of alignment	10 mm

Static diameter	406 mm
Maximum diameter	440 mm
Minimum overall diameter (Øe)	460 mm
Minimum height	75 mm
Static height (H)	200 mm
Maximum height	325 mm
Maximum recommended height	300 mm
Total stroke	250 mm
Effective area at static height	870 cm ²
Stiffness at 4 bar	63 daN/mm
Natural frequency at 4 bar	1,71 Hz
Weight	9,7 kg

Dynamic characteristics at H = 290mm*

Pressure	2 bar	4 bar	6 bar
Load (daN)	1270	2575	3865
Volume (dm ³)	24,25	24,85	25,46
Stiffness (daN/mm)	126	228	323
Natural frequency (Hz)	1,57	1,48	1,44
Isolation rate at 10Hz %	97,5%	97,8%	97,9%

* Recommended height for better isolation



Temperatures

Epichlore	-20°C (-30°C static)	+115°C (+120°C static)
-----------	----------------------	------------------------

References

DB1628/E	Bellow 2 convolutes 16" x 2 2 ply Epichlore steel bolted air inlet G ^{1/2} centered
----------	----------------------------------------------------------------------------------------------

Characteristics in static condition (daN)

Height	2 bar	3 bar	4 bar	5 bar	6 bar	7 bar	8 bar	Vol 5 bar
75	2 306	3 539	4 614	5 714	6 925	7 984	9 090	3509
100	2 256	3 382	4 466	5 520	6 680	7 721	8 793	7039
150	2 125	3 080	4 146	5 127	6 164	7 147	8 145	13798
200	1 906	2 795	3 644	4 626	5 515	6 363	7 273	19094
250	1 598	2 405	3 100	3 908	4 695	5 464	6 237	23535
290	1 383	2 076	2 702	3 378	4 070	4 743	5 398	26229
300	1 298	1 984	2 575	3 201	3 874	4 512	5 133	26684
325	1 156	1 774	2 311	2 852	3 465	4 047	4 596	28120

Mounting instructions

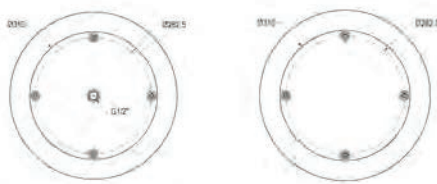
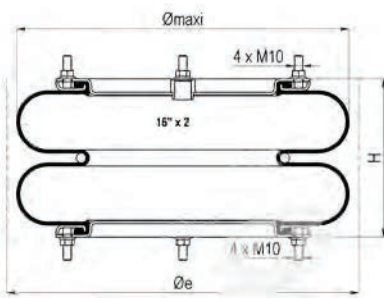
Fastening torque M10 x 1,5 : 20 to 28 Nm

Indicative value of force to reach the minimum height at atmospheric pressure is 8 daN.

Bellow 16" x 2 reinforced steel

DB16224/B

INDUSTRY



Technical characteristics

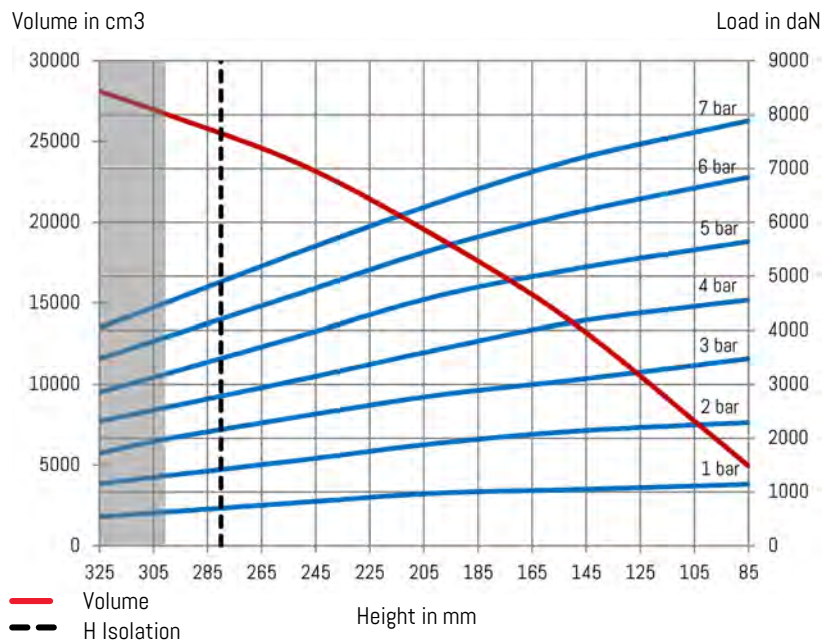
Maximum pressure	8 bar
Burst pressure	24 bar
Maximum angular capacity	15°
Maximum out of alignment	10 mm

Static diameter	406 mm
Maximum diameter	440 mm
Minimum overall diameter (Øe)	460 mm
Minimum height	85 mm
Static height (H)	200 mm
Maximum height	325 mm
Maximum recommended height	300 mm
Total stroke	240 mm
Effective area at static height	870 cm ²
Stiffness at 4 bar	63 daN/mm
Natural frequency at 4 bar	1,71 Hz
Weight	10,4 kg

Dynamic characteristics at H = 280mm*

Pressure	2 bar	4 bar	6 bar
Load (daN)	1255	2545	3825
Volume (dm ³)	22,2	22,6	22,9
Stiffness (daN/mm)	133	237	339
Natural frequency (Hz)	1,62	1,52	1,48
Isolation rate at 10Hz %	97,3%	97,6%	97,7%

* Recommended height for better isolation



Temperatures

Chlorobutyl	-25°C (-35°C static)	+90°C (+100°C static)
-------------	----------------------	-----------------------

References

DB16224/B	Bellow 2 convolutes 16" x 2 4 ply reinforced Chlorobutyl steel bolted air inlet G ^{1/2} centered
-----------	-----------------------------------------------------------------------------------------------------------

Characteristics in static condition (daN)

Height	2 bar	3 bar	4 bar	5 bar	6 bar	7 bar	8 bar	Vol 5 bar
85	2 290	3 480	4 557	5 642	6 837	7 885		4947
100	2 259	3 382	4 470	5 527	6 687	7 724		7039
150	2 128	3 078	4 147	5 129	6 168	7 154	Contact us	13812
200	1 906	2 798	3 643	4 631	5 518	6 365		19078
250	1 597	2 409	3 096	3 909	4 696	5 468		23546
280	1 448	2 153	2 817	3 529	4 246	4 943		25616
300	1 302	1 988	2 575	3 200	3 881	4 514		26684
325	1 156	1 722	2 315	2 853	3 473	4 047	28120	

Mounting instructions

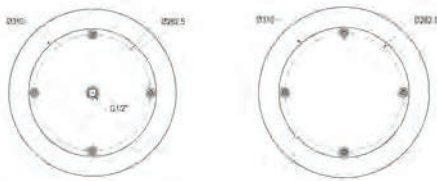
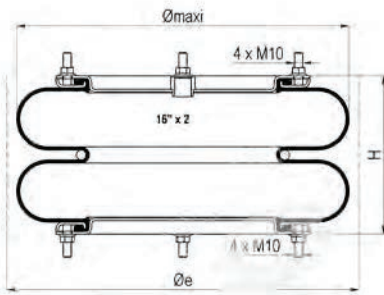
Fastening torque M10 x 1,5 : 20 to 28 Nm

Indicative value of force to reach the minimum height at atmospheric pressure is 64 daN.

Bellow 16" x 2 reinforced steel

DB16224/E

INDUSTRY



Technical characteristics

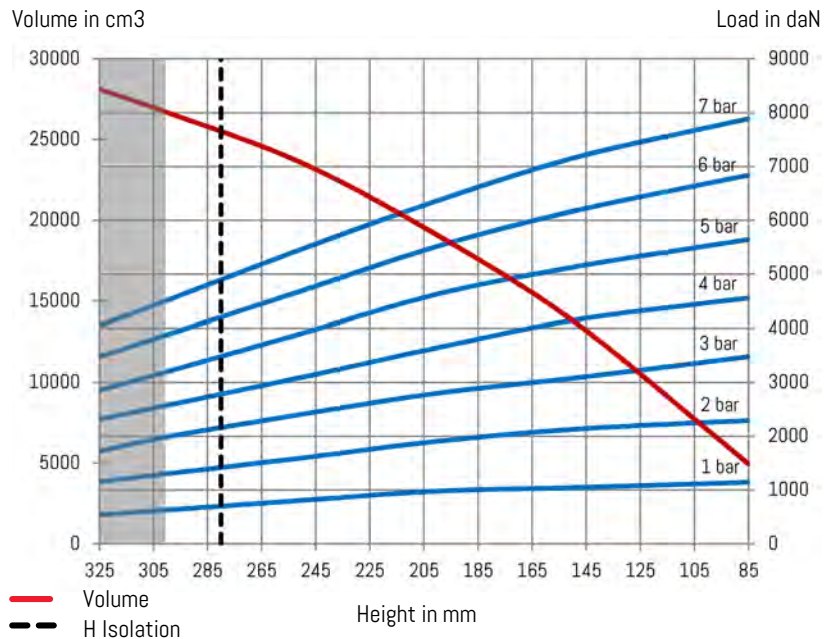
Maximum pressure	8 bar
Burst pressure	24 bar
Maximum angular capacity	15°
Maximum out of alignment	10 mm

Static diameter	406 mm
Maximum diameter	440 mm
Minimum overall diameter (Øe)	460 mm
Minimum height	85 mm
Static height (H)	200 mm
Maximum height	325 mm
Maximum recommended height	300 mm
Total stroke	240 mm
Effective area at static height	870 cm ²
Stiffness at 4 bar	63 daN/mm
Natural frequency at 4 bar	1,71 Hz
Weight	10,4 kg

Dynamic characteristics at H = 280mm*

Pressure	2 bar	4 bar	6 bar
Load (daN)	1255	2545	3825
Volume (dm ³)	22,2	22,6	22,9
Stiffness (daN/mm)	133	237	339
Natural frequency (Hz)	1,62	1,52	1,48
Isolation rate at 10Hz %	97,3%	97,6%	97,7%

* Recommended height for better isolation



Temperatures

Epichlore	-20°C (-30°C static)	+115°C (+120°C static)
-----------	----------------------	------------------------

References

DB16224/E Bellow 2 convolutes 16" x 2 4 ply reinforced Epichlore steel bolted air inlet G1/2 centered

Characteristics in static condition (daN)

Height	2 bar	3 bar	4 bar	5 bar	6 bar	7 bar	8 bar	Vol 5 bar
85	2 290	3 480	4 557	5 642	6 837	7 885		4947
100	2 259	3 382	4 470	5 527	6 687	7 724		7039
150	2 128	3 078	4 147	5 129	6 168	7 154		13812
200	1 906	2 798	3 643	4 631	5 518	6 365		19078
250	1 597	2 409	3 096	3 909	4 696	5 468		23546
280	1 448	2 153	2 817	3 529	4 246	4 943		25616
300	1 302	1 988	2 575	3 200	3 881	4 514		26684
325	1 156	1 722	2 315	2 853	3 473	4 047		28120

Mounting instructions

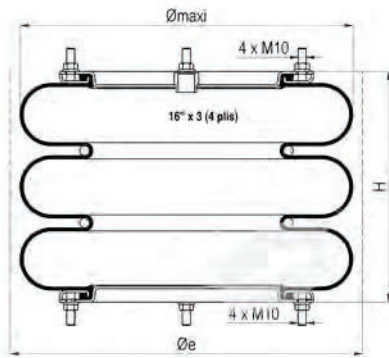
Fastening torque M10 x 1,5 : 20 to 28 Nm

Indicative value of force to reach the minimum height at atmospheric pressure is 64 daN.

Bellow 16" x 3 reinforced steel

DB1638/B

INDUSTRY



Technical characteristics

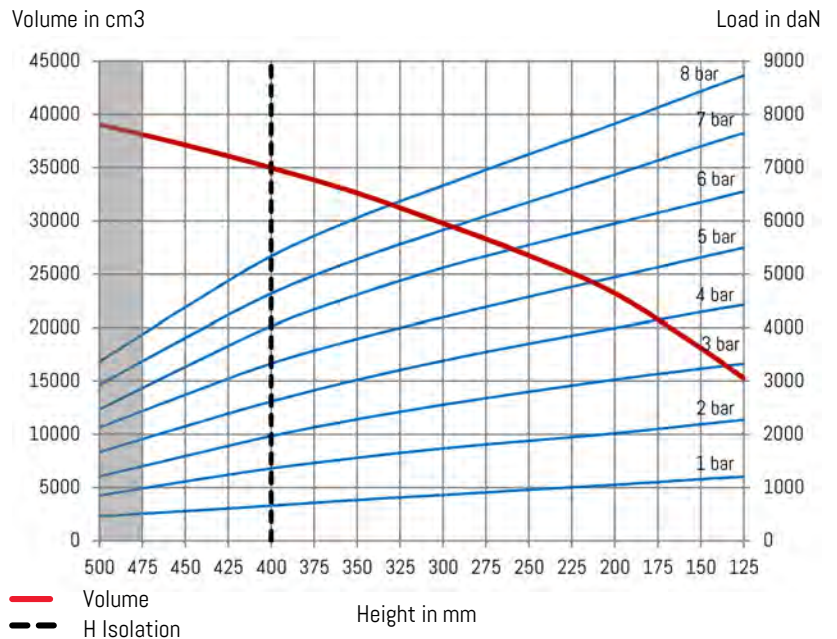
Maximum pressure	8 bar
Burst pressure	24 bar
Maximum angular capacity	15 °
Maximum out of alignment	10 mm

Static diameter	406 mm
Maximum diameter	440 mm
Minimum overall diameter (Øe)	460 mm
Minimum height	125 mm
Static height (H)	300 mm
Maximum height	500 mm
Maximum recommended height	475 mm
Total stroke	375 mm
Effective area at static height	850 cm ²
Stiffness at 4 bar	31,00 daN/mm
Natural frequency at 4 bar	1,20 Hz
Weight	12,5 kg

Dynamic characteristics at H = 400mm*

Pressure	2 bar	4 bar	6 bar
Load (daN)	1305	2615	3950
Volume (dm ³)	32,8	33,3	33,8
Stiffness (daN/mm)	96	168	244
Natural frequency (Hz)	1,35	1,26	1,24
Isolation rate at 10Hz %	98,1%	98,4%	98,4%

* Recommended height for better isolation



Temperatures

Chlorobutyl	-25°C (-35°C static)	+90°C (+100°C static)
-------------	----------------------	-----------------------

References

DB1638/B	Bellow 3 convolutes 16" x 3 4 ply Chlorobutyl reinforced steel bolted G ^{1/2} centered
----------	-------------------------------------------------------------------------------------------------

Characteristics in static condition (daN)

Height	2 bar	3 bar	4 bar	5 bar	6 bar	7 bar	8 bar	Vol 5 bar
125	2 274	3 326	4 427	5 497	6 552	7 652	8 730	15275
150	2 190	3 233	4 291	5 315	6 350	7 400	8 435	18098
200	2 020	3 030	3 996	4 946	5 951	6 869	7 827	23205
250	1 880	2 799	3 702	4 577	5 549	6 355	7 252	26747
300	1 737	2 556	3 383	4 193	5 121	5 828	6 664	29768
350	1 560	2 284	3 024	3 791	4 615	5 281	6 058	32611
400	1 360	1 968	2 618	3 331	4 029	4 637	5 337	34990
450	1 116	1 592	2 153	2 745	3 267	3 809	4 380	37131
475	995	1 406	1 928	2 467	2 889	3 399	3 921	38058
500	851	1 209	1 667	2 126	2 469	2 930	3 365	39048

Mounting instructions

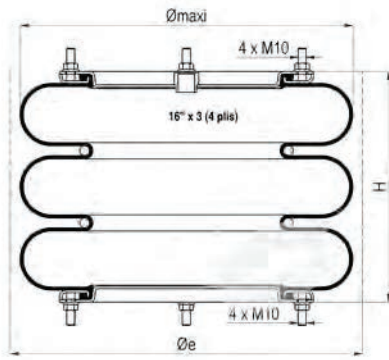
Fastening torque M10 x 1,5 : 20 to 28 Nm

Indicative value of force to reach the minimum height at atmospheric pressure is 64 daN.

Bellow 16" x 3 reinforced steel

DB1638/E

INDUSTRY



Technical characteristics

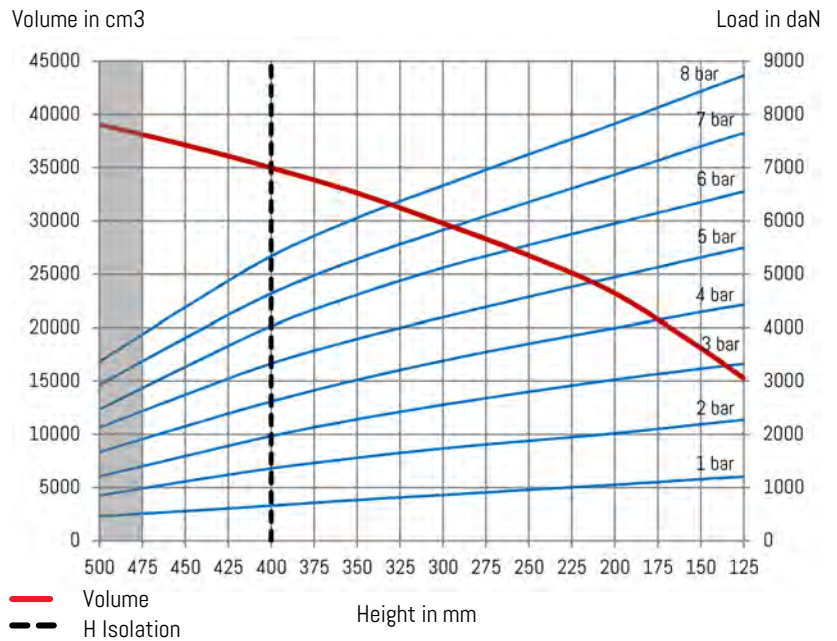
Maximum pressure	8 bar
Burst pressure	24 bar
Maximum angular capacity	15°
Maximum out of alignment	10 mm

Static diameter	406 mm
Maximum diameter	440 mm
Minimum overall diameter (Øe)	460 mm
Minimum height	125 mm
Static height (H)	300 mm
Maximum height	500 mm
Maximum recommended height	475 mm
Total stroke	375 mm
Effective area at static height	850 cm ²
Stiffness at 4 bar	31,00 daN/mm
Natural frequency at 4 bar	1,20 Hz
Weight	12,5 kg

Dynamic characteristics at H = 400mm*

Pressure	2 bar	4 bar	6 bar
Load (daN)	1305	2615	3950
Volume (dm ³)	32,8	33,3	33,8
Stiffness (daN/mm)	96	168	244
Natural frequency (Hz)	1,35	1,26	1,24
Isolation rate at 10Hz %	98,1%	98,4%	98,4%

* Recommended height for better isolation



Temperatures

Epichlore	-20°C (-30°C static)	+115°C (+120°C static)
-----------	----------------------	------------------------

References

DB1638/E	Bellow 3 convolutes 16" x 3 4 ply Epichlore reinforced steel bolted air inlet G ^{1/2} centered
----------	---------------------------------------------------------------------------------------------------------

Characteristics in static condition (daN)

Height	2 bar	3 bar	4 bar	5 bar	6 bar	7 bar	8 bar	Vol 5 bar
125	2 274	3 326	4 427	5 497	6 552	7 652	8 730	15275
150	2 190	3 233	4 291	5 315	6 350	7 400	8 435	18098
200	2 020	3 030	3 996	4 946	5 951	6 869	7 827	23205
250	1 880	2 799	3 702	4 577	5 549	6 355	7 252	26747
300	1 737	2 556	3 383	4 193	5 121	5 828	6 664	29768
350	1 560	2 284	3 024	3 791	4 615	5 281	6 058	32611
400	1 360	1 968	2 618	3 331	4 029	4 637	5 337	34990
450	1 116	1 592	2 153	2 745	3 267	3 809	4 380	37131
475	995	1 406	1 928	2 467	2 889	3 399	3 921	38058
500	851	1 209	1 667	2 126	2 469	2 930	3 365	39048

Mounting instructions

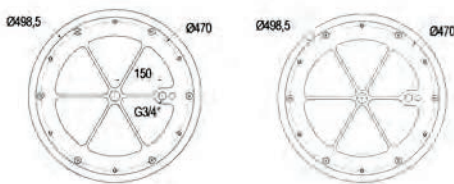
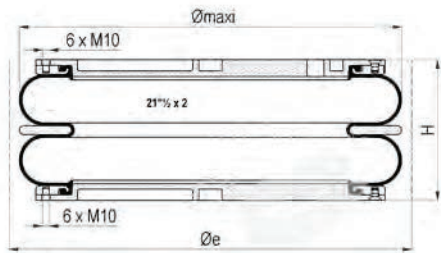
Fastening torque M10 x 1,5 : 20 to 28 Nm

Indicative value of force to reach the minimum height at atmospheric pressure is 64 daN.

Bellow 21" ½ x 2 alu

DB2124/B

INDUSTRY



Technical characteristics

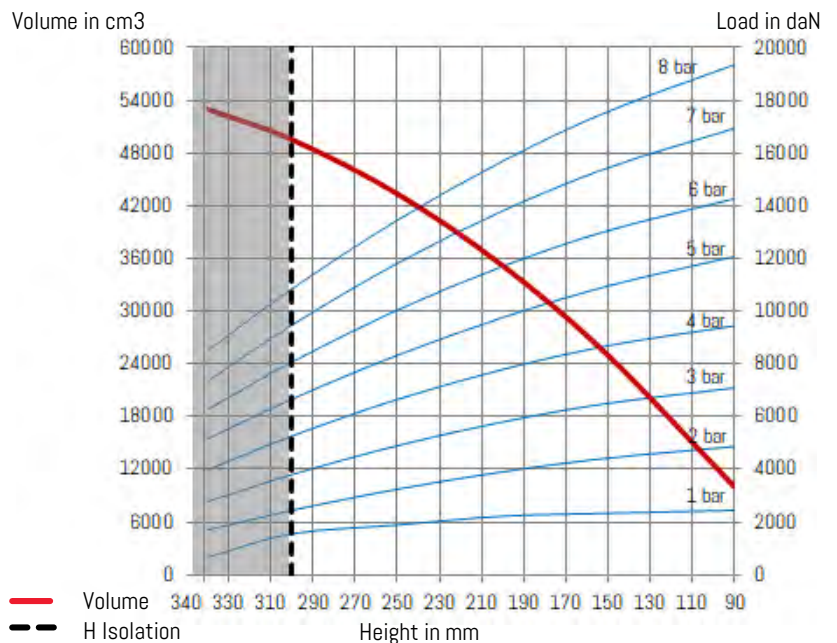
Maximum pressure	8 bar
Burst pressure	20 bar
Maximum angular capacity	15°
Maximum out of alignment	20 mm

Static diameter	546 mm
Maximum diameter	580 mm
Minimum overall diameter (Øe)	630 mm
Minimum height	90 mm
Static height (H)	200 mm
Maximum height	390 mm
Maximum recommended height	350 mm
Total stroke	300 mm
Effective area at static height	1930 cm ²
Stiffness at 4 bar	168 daN/mm
Natural frequency at 4 bar	1,26 Hz
Weight	20,6 kg

Dynamic characteristics at H = 300mm*

Pressure	2 bar	4 bar	6 bar
Load (daN)	2625	5480	8335
Volume (dm ³)	47,5	49,1	50,8
Stiffness (daN/mm)	310	538	756
Natural frequency (Hz)	1,71	1,56	1,50
Isolation rate at 10Hz %	97,0%	97,5%	97,7%

* Recommended height for better isolation



Temperatures

Chlorobutyl	-25°C (-35°C static)	+90°C (+100°C static)
-------------	----------------------	-----------------------

References

DB2124/B	Bellow 2 convolutes 21" ½ x 2 Chlorobutyl aluminium screwed air inlet G ^{3/4} shifted
----------	------------------------------------------------------------------------------------------------

Characteristics in static condition (daN)

Height	2 bar	3 bar	4 bar	5 bar	6 bar	7 bar	8 bar	Vol 5 bar
90	4 864	7 090	9 444	12 080	14 271	16 939	19 359	10016
150	4 426	6 505	8 690	10 956	13 058	15444	17 578	24965
200	3 907	5 801	7 793	9 761	11 706	13 810	15 697	35186
250	3 246	4 900	6 652	8 331	10 045	11 822	13 455	43374
300	2 444	3 802	5 267	6 667	8 075	9 480	10 852	49529
340	1 701	2 782	3 984	5 167	6 276	7 353	8 510	52989

Mounting instructions

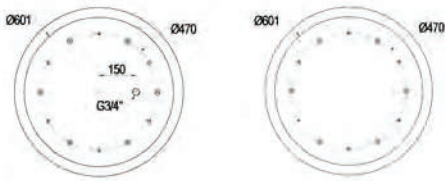
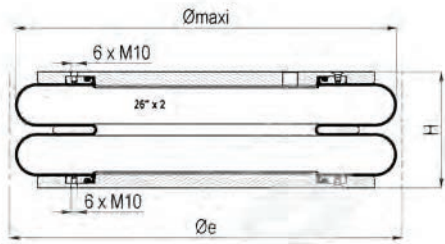
Fastening torque M10 x 1,5 : 20 to 28 Nm

Indicative value of force to reach the minimum height at atmospheric pressure is 7 daN.

Bellow 26" x 2 zinc steel

DB2624/B

INDUSTRY



Technical characteristics

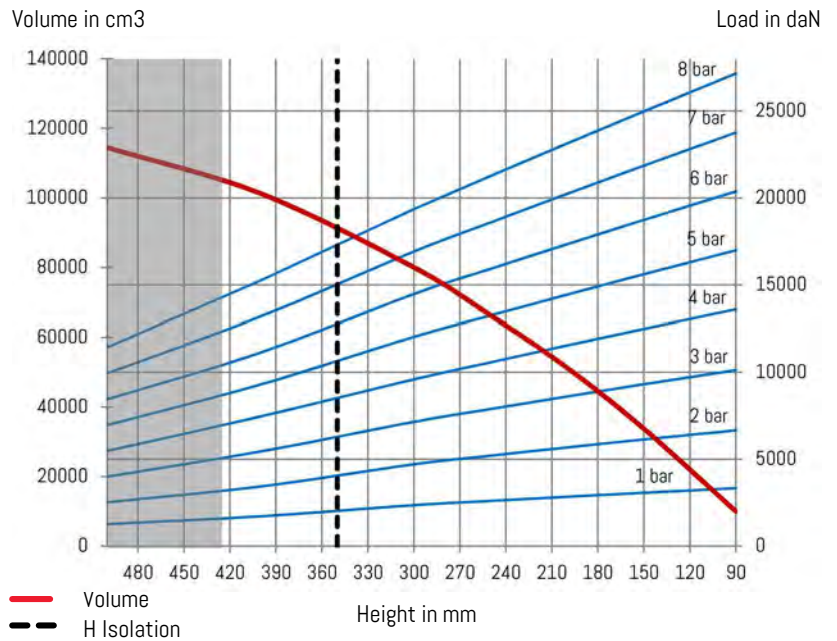
Maximum pressure	8 bar
Burst pressure	20 bar
Maximum angular capacity	
Maximum out of alignment	

Static diameter	660 mm
Maximum diameter	700 mm
Minimum overall diameter (Øe)	750 mm
Minimum height	90 mm
Static height (H)	200 mm
Maximum height	500 mm
Maximum recommended height	425 mm
Total stroke	410 mm
Effective area at static height	2885 cm ²
Stiffness at 4 bar	05,20 daN/mm
Natural frequency at 4 bar	1,51 Hz
Weight	23,7 kg

Dynamic characteristics at H = 350mm*

Pressure	2 bar	4 bar	6 bar
Load (daN)	4185	8590	13000
Volume (dm ³)	86,2	88,9	91,5
Stiffness (daN/mm)	316	560	792
Natural frequency (Hz)	1,37	1,27	1,23
Isolation rate at 10Hz %	98,1%	98,4%	98,5%

* Recommended height for better isolation



Temperatures

Chlorobutyl	-25°C (-35°C static)	+90°C (+100°C static)
-------------	----------------------	-----------------------

References

DB2624/B Bellow 2 convolutes 26" x 2 Chlorobutyl zinc steel screwed air inlet G^{3/4} shifted

Characteristics in static condition (daN)

Height	2 bar	3 bar	4 bar	5 bar	6 bar	7 bar	8 bar	Vol 5 bar
90	6 655	10 125	13 595	16 983	20 370	23 760	27 150	10000
150	6 135	9 310	12 485	15 608	18 730	21 853	24 975	33750
200	5 675	8 605	11 535	14 435	17 335	20 233	23 130	51250
250	5 200	7 885	10 570	13 243	15 915	18 585	21 255	66250
300	4 705	7 148	9 590	12 030	14 470	16 910	19 350	80000
350	4 121	6 344	8 554	10 726	12 898	15 121	17 357	91580
360	4 014	6 189	8 351	10 475	12 599	14 775	16 965	93660
400	3 430	5 445	7 460	9 295	11 130	13 190	15 250	101250
425	3 303	5 244	7 184	8 951	10 718	12 702	14 686	105245
500	2 520	3 998	5 475	6 960	8 445	9 933	11 420	114500

Mounting instructions

Fastening torque M10 x 1,5 : 20 to 28 Nm

Indicative value of force to reach the minimum height at atmospheric pressure is 15 daN.